

NEW



**BACKHOE LOADER** | 3CX-14/3CX SUPER/4CX SUPER

Gross power: 74, 91, 109hp Maximum dig depth: 14ft-7" (4.45m) – 21ft-6" (6.55m)



# PRODUCTIVITY AND PERFORMANCE.

JCB BACKHOES HAVE ALWAYS LED THE WAY IN POWER AND PERFORMANCE, AND OUR LATEST MODELS ARE NO EXCEPTION. IN EVERY RESPECT – FROM DIGGING TO LIFTING AND MANEUVERING – THESE MACHINES WILL MAXIMIZE YOUR PRODUCTIVITY.

## World's No. 1.

JCB invented the backhoe in 1953 and today one out of every two backhoes in the world is a JCB.

## A productive drivetrain.

**1** To give your 3CX-14 or 3CX/4CX SUPER even greater traction and performance, the standard torque proportioning front axle provides reduced tire wear, and we also fit automatic limited slip differentials as standard.

## Innovative hydraulics.

**2** JCB Backhoes are fitted with a higher flow 44gpm piston pump which improves fuel efficiency across the complete duty cycle.



With a 39 gallon (150-liter) fuel tank, the 3CX and 3CX/4CX SUPER machines are designed to do a huge amount of work between refills.

For enhanced loading performance and smoother gear changes, we offer a 6-speed Autoshift gearbox with low ratio first and second gears and a kick down switch.



Fast and responsive cycles are guaranteed, courtesy of an increased 44gpm peak hydraulic flow.



### Maximum productivity.

Our standard parallel lift front loader automatically adjusts the bucket on both raise and lower cycles without any need for manual adjustment. It also provides unhindered front bucket visibility, especially when loading at height.

**3** To ensure an extra 3ft 11in (1.2m) dig depth and reach – and to minimize repositioning – all JCB backhoe loaders are fitted with our inner box design Extradig feature. This makes the JCB backhoe the highest lifting capacity machine available. The 3CX/4CX SUPERs also feature an 11,000lb lifting point and heavy-duty lift cylinders as standard.

**4** JCB backhoe loaders boast high ground clearances of up to 1ft 1in (340mm), together with 20° departure angles. This means operators can work easily on steep slopes and uneven ground at maximum productivity and avoid any underside damage.



3

### The ultimate backhoe.

**5** As the largest, most productive backhoe model we produce, boasting unparalleled power, performance and versatility, the JCB 4CX SUPER is the ideal machine for just about any application, from road-building to house-building, landscaping and snow clearing.

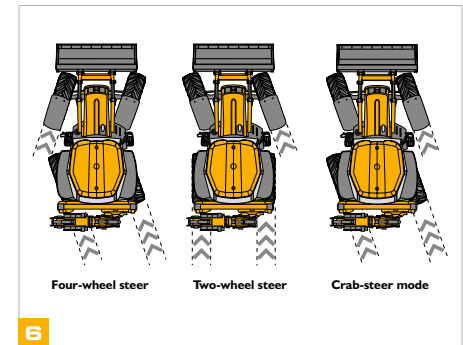
**6** The 4CX SUPER's optional large capacity (1.6cu.yd.) bucket and 3 steering modes provide exceptional on-site productivity.



4



5



6

## COMFORT AND EASE OF USE.

IN ORDER TO HELP YOU REAP THE MAXIMUM BENEFITS OF THE 3CX-I4 AND 3CX/4CX SUPER'S SUPERIOR PERFORMANCE, WE'VE DESIGNED THESE MACHINES TO BE ALL-DAY COMFORTABLE, ERGONOMIC AND EXTREMELY INTUITIVE FOR OPERATORS TO USE.

### A great place to work.

All our backhoes have low noise levels, with our EcoMAX engine models offering the quietest operation.

**1** To help operators get to work quickly and safely, our optional heated front screen prevents any built-up of frost and ice. Our 'Auto pre-heat' option can be set to warm the cab automatically without starting the engine.



**2** There's generous storage in our cabs; work tools are easy to carry, the cab environment is well-organized and, on A/C models, there's an in-cab cool box for food and drinks.



**3** The side console display provides the operator with information on fluid levels, temperature, rpm and machine warning symbols.

**4** Exclusive to JCB backhoe loaders, we have integrated a hot drinks machine option into the cab to provide you with a delicious cup of coffee throughout the day.



**Maximum maneuverability.**

**e** Efficient, safe stopping power requires minimal pedal effort because of JCB's power brakes system.

**Always in control.**

**e** For a super-efficient backhoe experience, JCB's new multi-functional instrument control panel can provide current and average fuel consumption.

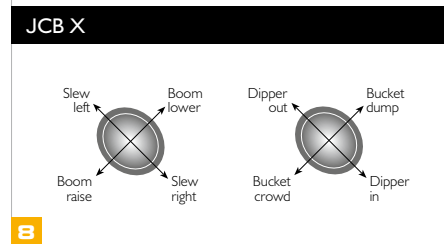
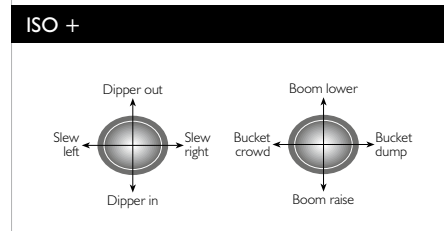
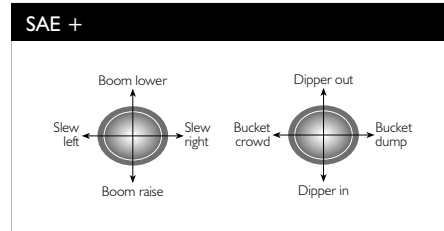
**z** JCB's ergonomic seat-mounted excavator-style controls (on our Easy and Advance Easy Control options) make for great maneuverability, fingertip control and supreme comfort.

**e** So that operators feel right at home in the 3CX and 4CX SUPER, we fit a traditional manual control system as standard, with a choice of 3 control patterns SAE+, ISO+ and JCB X.

**e** With joystick-controlled loader operations on Advanced EasyControl, it's comfortable, logical and easy to control the loader end of a 3CX or 4CX. The advanced EasyControl system also gives the ability to operate the backhoe while facing the loader.



5



8



6



7

## QUALITY, RELIABILITY AND DURABILITY.

THE LATEST JCB BACKHOE LOADERS ARE DESIGNED FOR HARD WORK. THEY'RE MADE USING ONLY THE VERY FINEST MATERIALS AND PROCESSES, WHICH ARE TESTED, TRIED AND PROVEN TO EXCEL. THEY'RE ALSO PROTECTED FROM THE INEVITABLE RIGOURS OF SITE LIFE.

### Damage limitation.

- 1 To protect boom and dipper hoses from the perils of trench work, we've enclosed them inside the rear structures of the machine.
- 2 With front bumper bars fitted as standard on all 3CX SUPER machines – and with the steering cylinder positioned behind the front axle – any chance of impact damage during loading is eliminated.
- 3 To stop the kingpost hoses from snagging and sustaining damage, we enclose them in a flexible, robust guide.
- 4 Optional flip over pads provide a method for optimizing machine performance when used frequently on both soil and asphalt. The pad ensures contact area is not damaged, enabling the machine to work in areas where damage to the ground is costly.



**Built to last.**

- 5 For added rigidity – and to protect hoses from damage – JCB backhoe loaders have flat plate-depressed loader arms, with stress relieving welds that put the strength into components.
- 6 The composite fuel tank is completely rustproof for ultimate fuel injection system protection.
- 7 The single-piece composite cab floor on these backhoes is also rustproof, and easily dissipates water via the molded water channels.
- 8 JCB's robotically welded single-piece chassis maximizes strength and minimizes weight.

**Tested to the limits.**

- 9 All materials used within construction of our backhoe loaders are rigorously tested. By exposing these materials to extreme temperatures, chemicals, salt, oil and light, we know they'll survive the most hostile conditions.
- 10 To prove the durability of our new EcoMAX engines, we've tested them for 110,000 hours across the toughest applications.

The axles and transmissions are built for a 12,000-hour life, with the heavyweight axles designed to withstand massive shock loads. The rear axle alone has a static load rating of 55,115lb (25,000kg), and a dynamic load rating of 27,557lb (12,500kg).



## EFFICIENT BY DESIGN.

THE LATEST JCB BACKHOE LOADERS DON'T JUST PROVIDE YOU WITH THE POWER TO GET THINGS DONE; THEY ALSO OFFER YOU COUNTLESS FEATURES TO ENSURE THAT PERFORMANCE IS EFFICIENT, AND OWNERSHIP COSTS ARE REDUCED.



### An efficient drivetrain.

**1** Our most efficient 74hp BHL requires no costly DPF or SCR. A flow on demand axle piston pump makes it not only unbeatable on fuel consumption, but also avoiding any additional after-treatment or servicing costs. This differentiates JCB from the competition.

**2** By producing high levels of power and torque even at engine speeds as low as 1200rpm, JCB's EcoMAX engine can provide fuel-efficient matching of transmission and hydraulics.

**3** JCB's unique TorqueLock system is optional on 91hp Powershift and standard on 109hp. Our 6-speed Autoshift comes standard with TorqueLock. This feature can help save up to 25% on fuel and up to 10% on road travel time.



**1**



**2**



**3**



## Residual benefits.

**4** A new stainless steel SCR replaces the current exhaust system on backhoes over 74hp.

We've met the strict regulations by reducing NOX emissions by 90%. The emissions of one T4F machine are equivalent to ten T4i machines, creating a substantially cleaner and safer environment, without detriment to fuel consumption, engine power or visibility.

## Added efficiency.

As products of the JCB Efficient Design program:

To reduce noise and save fuel, we've fitted a viscous fan as standard; this only cuts in when it's needed, and doesn't draw engine power.

**5** High back-off brakes reduce viscous drag during roading and rehandling, which in turn improves economy.

**6** A new high output variable flow pump on all JCB models reduces cycle times and saves fuel. On manual machines, it also provides lighter lever effort for easier control.



**5**



**4**



**6**



**6**

**EASY, EFFICIENT, AUTOMATE.**

**JCB AUTOMATE IS A NEW SUITE OF AUTOMATED FEATURES DESIGNED TO IMPROVE THE USABILITY AND FUEL EFFICIENCY OF YOUR JCB BACKHOE LOADER.**

INTRODUCING

# AUTOMATE

FOR THE WORLD'S NO1 BACKHOE LOADER

## 1 Auto Check.

- Make looking under the hood of your backhoe a thing of the past by having all routine engine checks automatically carried out at the start of every working day.

## 2 Auto Idle.

- Automatically returns engine rpm to idle saving time and effort.
- Adjustable time delay to suit operators and different applications.
- Potential fuel saving of \$190 per year (based on a 1500hr cycle).

## 3 Auto Throttle.

- Returns engine speed to pre-set hand throttle position when work is resumed.
- Improves ease of use, saves time and reduces effort.
- Maintains idle until levers are activated.

## 4 Auto Drive.

- When your backhoe is roading, Auto Drive automatically maintains a chosen engine speed.
- The feature automatically disengages when you press the brake or the switch.
- Similar to automotive cruise control, the only difference being engine speed is locked rather than road speed, allowing the operator to remove their foot from the throttle pedal.



**T4F IV**



5

### 5 **Auto Smoothride System (SRS).**

- Set and forget technology means there's no operator input needed.
- Automatic activation and deactivation is carried out at a preset speed.
- This feature is designed to increase productivity, by providing increased load retention and roading speed, aswell as increased operator comfort.



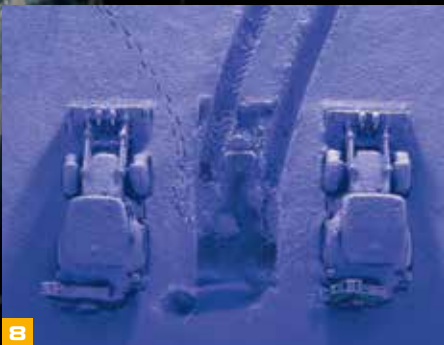
6

### 6 **Auto Boomlock (servo only).**

- There's no boomlock cable to worry about.
- Automatic unlock is done via servo activation.

### 7 **Auto Stabilizer Up (servo only).**

- One touch levers reduce operator fatigue.
- Auto retraction provides ease of operation.
- Engine rpm automatically raises for reduced raise time and lowers back to idle.



8

### 8 **Auto Pre-heat (optional).**

- Program your machine to automatically heat the engine block, cab and defrost the windscreen up to 30 minutes before use.



5



### **AUTOMATE HOW TO.**

Take a look at the video below for an introduction to the latest Automate features on the JCB Backhoe Loader. You can also visit our YouTube Channel to watch the series of 'How to' videos and discover how you can get the most from your machine.



## SECURITY AND SERVICEABILITY.

AS THE WORLD'S NUMBER ONE BACKHOE MANUFACTURER, JCB GIVES YOU SUPREME POWER AND PRODUCTIVITY. TO BALANCE ALL THAT PERFORMANCE AND DESIRABILITY, THERE'S SAFETY, SECURITY AND SERVICEABILITY TOO.



### Safe and secure.

- 1 JCB backhoe loaders are safe machines to get in and out of, with large anti-slip steps of an open grill design to stop material build-up.
- 2 The large glass area provides 291 degrees of visibility aiding productivity and increasing on-site safety.
- 3 JCB's lockable front grill design ensures machine security as it prevents access to the battery and isolator. Standard front bumpers protect the grill while truck loading. (3CX Super only).
- 4 A large five gallon DEF tank only requires filling every 4-5 fuel refills for minimal servicing downtime. Recommend fill up every time.



## Serviceability.

**e** Operators no longer need to perform daily under-hood checks, because all checks are done automatically by the Auto Check engine management system, so the machine takes care of its self.

To save more time and effort, these backhoes are designed to offer grouped single-side servicing.

An in-cab monitor display provides operators with all the machine information they need, like service messages and early warnings to improve reliability and reduce downtime.

**z** Our one-piece hood is easy to lift, and there's no need to remove extra side panels for faster servicing.

**e** Refuelling can be done from ground level.

## MAX benefits.

The JCB EcoMAX engine – features uprated engine and fuel filters to prevent engine wear and extend working life.

**e** SCR has minimal system components to ensure a compact unit which is simple and cost effective to service.



**3CX-14.** ENGINE SIZE: 74hp, DIG DEPTH: 14ft, AFTER TREATMENT: None.

**1. Easy to transport**

A low roof cab of 9ft 3" makes transport easy.

**2. Ease of use**

Seat mounted servo's fitted as standard with powershift available as an option.

**3. Easy to maintain**

74hp engine means no DPF, no regeneration, Livelink telematics and Auto Check makes servicing easy.

**4. High performance**

A 44 GPM axle piston pump, limited slip differential and parallel lift give you high performance.

**5. Ultimate durability**

Stress-relieved boom and dipper. JCB-built components and 24,000-hour chassis life.

# 3CX SUPER. ENGINE SIZE: 91 or 109hp, DIG DEPTH: 14, 15, 17ft, AFTER TREATMENT: DEF and SCR (No DPF).

## 1. Excellent visibility

No impact on hood line with JCB T4F installation due to no DPF requirement.

## 2. Protection

New front bumper bars protect the machine when loading.

## 3. Fuel saving

The high horsepower provides better roading and loading performance.

## 4. High specification

Includes: limited slip differentials, LiveLink telematics, parallel lift and with bi-directional and thumb options available.

## 5. Lifting

Highest lift capacities in the industry with the new 11,000lb lift point fitted as standard.



# 4CX SUPER. ENGINE SIZE: 109hp, DIG DEPTH: 14, 15, 17ft, AFTER TREATMENT: DEF and SCR (No DPF).

## 1. Ultimate power

Comes as standard with our highest horsepower engine – 109hp provides high levels of productivity at all levels.

## 2 High floatation

28" tires provide less ground damage and make it easier to travel over soft ground.

## 3. Maneuverable

3 steer modes ; 2 wheel steer, 4 wheel steer and crab steer provide excellent on-site maneuverability.

## 4. High ground clearance

Ideal for off terrain and heavy-duty applications.

## 5. Two machines in one

The ideal machine for municipalities offering wheel loader and excavator performance in one machine.





# THE OPTIONS LIST.

A BACKHOE LOADER IS, BY ITS VERY NATURE, A HIGHLY VERSATILE MACHINE, BUT OUR OPTIONAL EXTRAS MAKE IT ALL THE MORE SO, ALLOWING YOU TO TAILOR YOUR BACKHOE LOADER TO A HUGE ARRAY OF DIFFERENT APPLICATIONS.

## 6-in-1 loader bucket.

1 Equip your backhoe loader with one of these and you can dig, doze, load, grab, grade and backfill without having to switch attachments.

## Front hydraulic quick couplers.

2 Our front quick couplers make changing between attachments quick and making the machine more versatile. When fitted with intergrated forks give the Backhoe upto a 5,400lb payload.

## Hydraulic thumb.

3 This feature increases the versatility of your 3CX or 4CX SUPER because its profiled edge is ideal for handling round objects and awkward materials – logs, pipes or scrap metal, for example.

## Hydraulic quick coupler.

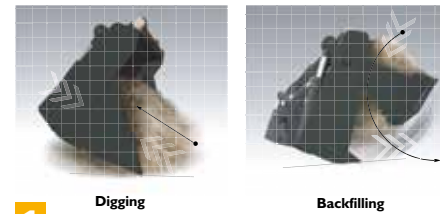
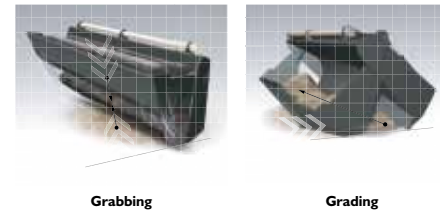
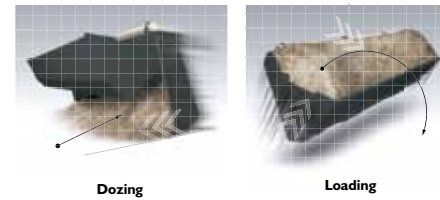
4 Our latest quick coupler makes attachment changing quick, safe and compliant.

## 29ft hose reel and hand tool circuit.

5 The hand held tool circuit with a 5g/min and the 29ft hose reel option give the operator a wide working radius with a vast array of hand tools available.

## Combined hammer and bi-directional unit.

6 Increasing attachment compatibility and versatility, this brand new option provides both low-flow and high-flow hydraulic power, with low back pressure maintaining optimum flow to the attachment. The circuit operates independently of the extending dipper and is capable of operating a wide range of single and double acting attachments. Hammer only, or hammer and bi-directional options are available.



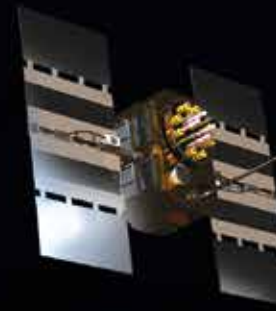
# LIVELINK, WORK SMARTER.

**LIVELINK IS AN INNOVATIVE SOFTWARE SYSTEM THAT LETS YOU MANAGE JCB MACHINES REMOTELY – ONLINE, BY EMAIL OR ON YOUR CELL PHONE. ACCESS EVERYTHING FROM MACHINE ALERTS TO FUEL REPORTS AND HISTORY INFORMATION, WITH ALL DATA STORED AT A SECURE CENTER.**

*Liveline package is standard for 2 years.*

## Productivity and cost benefits

By providing information like idle time monitoring and machine fuel consumption, JCB Liveline helps reduce your fuel usage, DEF levels, saving money and improving productivity. Machine location information can help improve efficiency and perhaps even reduce insurance costs.



## Maintenance benefits

Manage machine maintenance easily – accurate hours monitoring and service alerts improve maintenance planning, while real-time location data helps you manage your fleet. Critical machine alerts and maintenance history records are also available.



## Security benefits

Liveline's real-time geofencing alerts tell you when machines move out of predetermined zones, and real-time curfew alerts inform you of unauthorized usage. Further benefits include real-time location information.



## VALUE ADDED.

**NORTH AMERICA'S STRONG AND FAST GROWING DEALER NETWORK IS READY TO BACK YOU UP. WHATEVER YOU NEED AND WHEREVER YOU ARE, WE'LL BE AVAILABLE QUICKLY AND EFFICIENTLY TO HELP MAKE SURE YOUR MACHINERY IS PERFORMING TO ITS FULL POTENTIAL.**

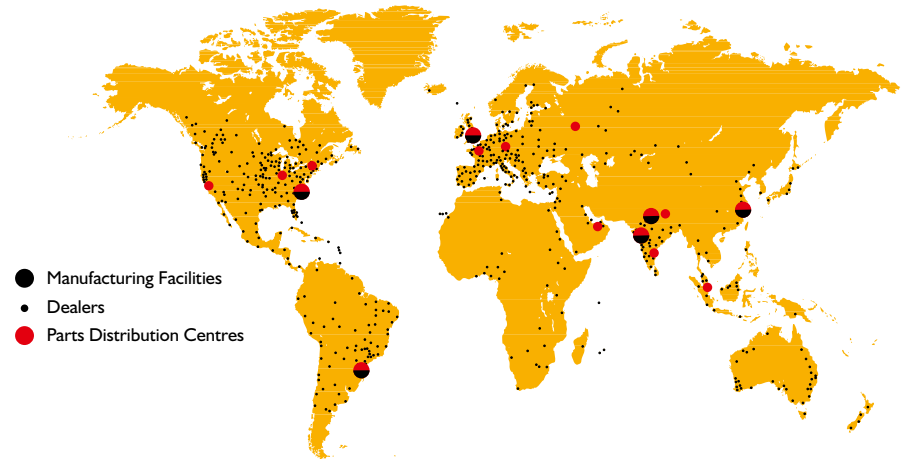


**1** Our Technical Support Service provides instant access to factory expertise, day or night.

**2** The global network of JCB Parts Centres is another model of efficiency; with 16 regional bases, we can deliver around 95% of all parts anywhere in the world within 24 hours. Our genuine JCB parts are designed to work in perfect harmony with your machine for optimum performance and productivity.

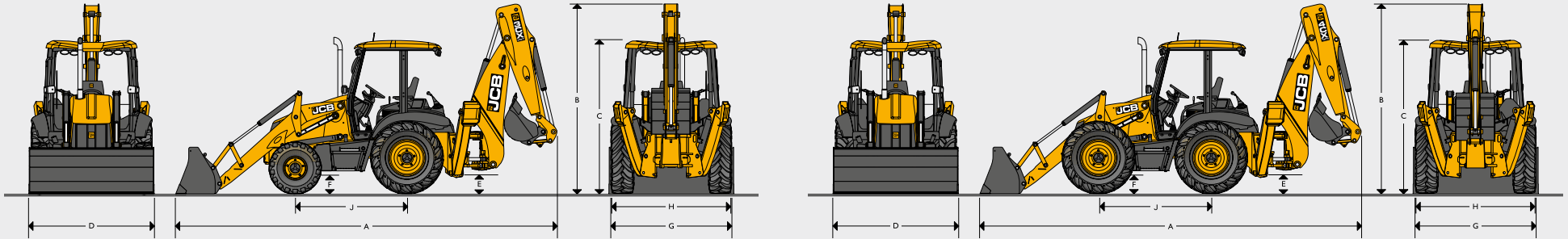


**3** JCB Assetcare offers comprehensive extended warranties and service agreements, as well as service-only or repair and maintenance contracts. Irrespective of what you opt for, our maintenance teams around the world charge competitive labour rates, and offer non-obligation quotations as well as fast, efficient insurance repair work.



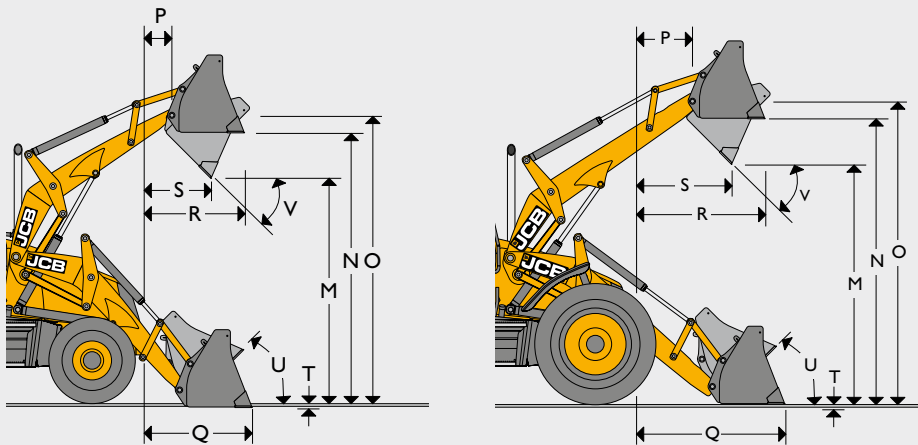
STATIC DIMENSIONS

JCB Backhoe Loaders feature a heavy-duty one piece mainframe, componentized driveline and fully enclosed engine compartment. All fluid and component compartments are lockable using the ignition key.



Machine model			3CX-14	3CX-14 SUPER	3CX-15 SUPER	3CX-17 SUPER	4CX-14 SUPER	4CX-15 SUPER	4CX-17SUPER
Drive			4WD	4WD	4WD	4WD	4WD	4WD	4WD
A	Transport length	ft-in (m)	23-7 (7.19)	23-7 (7.19)	24-7 (7.49)	24-7 (7.49)	24-2 (7.37)	24-2 (7.37)	24-6 (7.47)
B	Transport height – standard Backhoe	ft-in (m)	11-3 (3.43)	11-3 (3.43)	12-9 (3.89)	13-7 (4.14)	11-3 (3.43)	12-9 (3.89)	13-7 (4.14)
	Transport height – Extradig	ft-in (m)	11-7 (3.53)	11-7 (3.53)	12-10 (3.91)	13-9 (4.19)	11-7 (3.53)	12-10 (3.91)	13-9 (4.19)
C	Height to top of cab/canopy	ft-in (m)	9-3 (2.81)	9-9 (2.87)	9-9 (2.87)	9-9 (2.87)	9-9 (2.87)	9-9 (2.87)	9-9 (2.87)
D	Overall width with Bucket	ft-in (m)	7-8 (2.45)	7-8 (2.45)	7-8 (2.35)	8-0 (2.44)	7-8 (2.45)	7-8 (2.45)	8-0 (2.44)
E	Ground clearance – mainframe	ft-in (m)	1-1 (0.33)	1-1 (0.33)	1-1 (0.33)	1-1 (0.33)	1-1.5 (0.34)	1-1.5 (0.34)	1-1.5 (0.34)
F	Ground clearance – front axle	ft-in (m)	1-1.4 (0.34)	0-11 (0.28)	0-11 (0.28)	0-11 (0.28)	1-5.7 (0.45)	1-5.7 (0.45)	1-5.7 (0.45)
G	Front wheel track	ft-in (m)	7-1 (2.16)	7-4.5 (2.25)	7-4.5 (2.25)	7-4.5 (2.25)	7-3.5 (2.22)	7-3.5 (2.22)	7-3.5 (2.22)
H	Rear wheel track	ft-in (m)	7-3 (2.21)	7-3 (2.21)	7-3 (2.21)	7-3 (2.21)	7-3.5 (2.22)	7-3.5 (2.22)	7-3.5 (2.22)
J	Wheelbase	ft-in (m)	7-1 (2.17)	7-1 (2.17)	7-1 (2.17)	7-1 (2.17)	7-7 (2.31)	7-7 (2.31)	7-7 (2.31)

LOADER DIMENSIONS

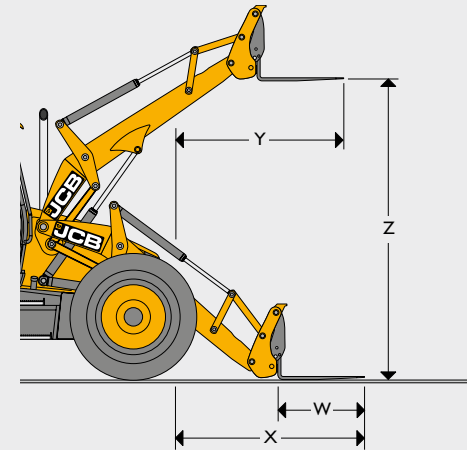
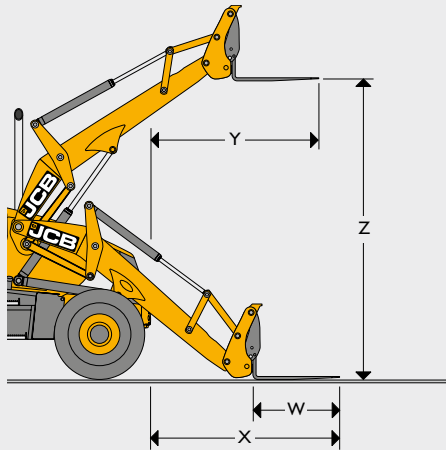


Machine model		3CX-14 3CX-14 SUPER 3CX-15 SUPER	3CX-17 SUPER	4CX-14 SUPER 4CX-15 SUPER 4CX-17 SUPER
Overall width with bucket	ft-in (m)	7-8 (2.35)	8-0 (2.44)	8-0 (2.44)
M	Dump height	ft-in (m)	8-10 (2.69)	8-10 (2.69)
N	Load over height	ft-in (m)	10-8 (3.25)	10-6 (3.20)
O	Loader hinge pin height	ft-in (m)	11-4 (3.45)	11-2 (3.40)
P	Maximum operating height	ft-in (m)	13-7 (4.14)	13-4 (4.06)
Q	Dump reach at fill height	ft-in (m)	2-8 (0.81)	2-10 (0.86)
R	Roll back at ground	degrees	45°	45°
T	Digging depth	ft-in (m)	0-2 (0.05)	0-8 (0.20)
V	Dump angle	degrees	43°	53°

**LOADER PERFORMANCE**

Machine model	3CX-14		3CX-14 SUPER	3CX-14 SUPER	3CX-15 SUPER		3CX-17 SUPER	3CX-17 SUPER	4CX-14 SUPER 4CX-15 SUPER 4CX-17 SUPER		
	GP bucket	6-in-1 bucket	GP bucket	6-in-1 bucket	GP bucket	6-in-1 bucket	GP bucket	6-in-1 bucket	GP bucket	6-in-1 bucket	
Bucket breakout force	lb (kg)	13603 (6170)	14398 (6531)	13603 (6170)	14398 (6531)	14498 (6576)	14528 (6590)	14498 (6576)	14528 (6590)	13728 (6227)	14528 (6290)
Lift capacity to full height (optional configuration)	lb (kg)	-	-	9231 (4188)	8647 (3923)	-	-	-	-	-	-
Lift capacity to full height (standard configuration)	lb (kg)	7670 (3479)	7119 (3229)	7670 (3479)	7119 (3229)	10225 (4638)	9652 (4378)	10225 (4638)	9652 (4378)	10225 (4638)	9652 (7378)
6-in-1 bucket clamp force	lb (kg)	-	6489 (2943)	-	6489 (2943)	-	6486 (2943)	-	6486 (2943)	-	6486 (2943)
Fork lift capacity - 24" center (forks on 6-in-1)	lb (kg)	-	4000 (1815)	-	4000 (1815)	-	4000 (1815)	-	4000 (1815)	-	4000 (1815)

**LOADER ATTACHMENTS – 6-in-1 Bucket Fork Dimensions**

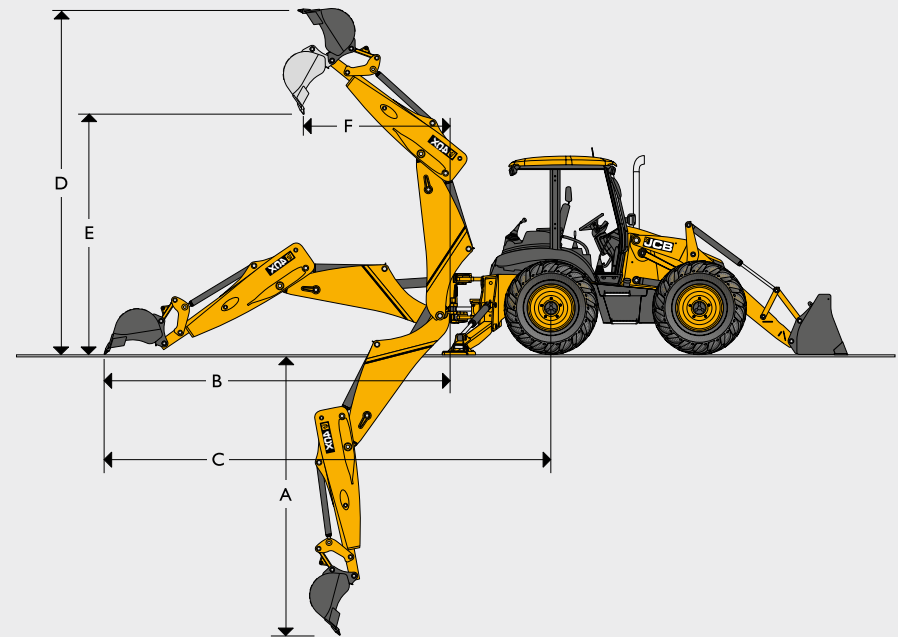
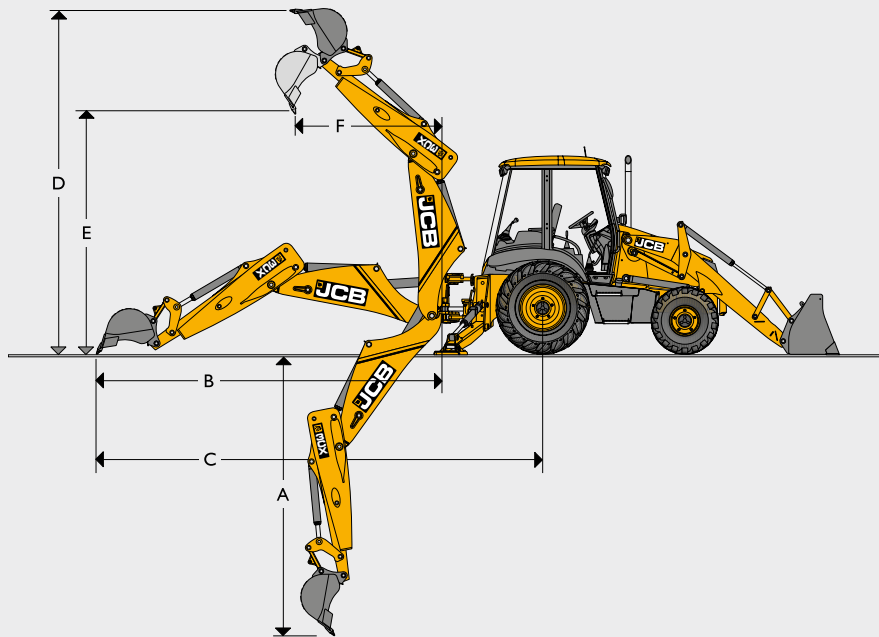


Machine model	3CX-14 3CX-14 SUPER 3CX-15 SUPER 3CX-17 SUPER		4CX-14 SUPER 4CX-15 SUPER 4CX-17 SUPER	
	6-in-1 bucket mounted forks		6-in-1 bucket mounted forks	
W Forks – tine length	ft-in (m)	3-7 (1.1)	3-6 (1.07)	3-6 (1.07)
Forks – tine length	ft-in (m)	0-3.1 (0.08)	0-3.3 (0.80)	0-3.3 (0.80)
X Forks reach at ground level	ft-in (m)	8-9 (2.66)	8-10 (2.69)	8-10 (2.69)
Y Forks reach at full height	ft-in (m)	7-5 (2.25)	7-6 (2.29)	7-6 (2.29)
Z Forks lift height – max	ft-in (m)	9-7 (2.92)	9-3 (2.28)	9-3 (2.28)
Fork spacing – min/max 10"		10" (260 mm) to 68" (1725 mm)	10" (260 mm) to 68" (1725 mm)	10" (260 mm) to 68" (1725 mm)

**OPERATING WEIGHTS**

Machine model	3CX-14	3CX-14 SUPER	3CX-15 SUPER	3CX-17 SUPER	4CX-14 SUPER	4CX-15 SUPER	4CX-17 SUPER
Drive	4WD	4WD	4WD	4WD	4WD	4WD	4WD
Base unit - standard Backhoe	lb (kg)	15439 (7005)	15439 (7005)	17037 (7730)	17515 (7947)	16446 (7462)	18225 (8627)
Add for: cab	lb (kg)	540 (245)	540 (245)	540 (245)	540 (245)	540 (245)	540 (245)
Add for: Extradig	lb (kg)	998 (453)	998 (453)	646 (293)	646 (293)	998 (453)	-

BACKHOE DIMENSIONS



Machine model

		3CX-14 3CX-14 SUPER 4CX-14 SUPER		3CX-15 SUPER 4CX-15 SUPER		3CX-17 SUPER 4CX-17 SUPER			
		Standard Backhoe	Extradig – Retracted Extradig	Extradig – Extended	Extradig – Retracted Extradig	Extradig – Extended	Extradig – Retracted Extradig	Extradig – Extended	
SAE max dig depth									
A	SAE max dig depth	ft-in (m)	14-7 (4.45)	14-7 (4.45)	18-6 (5.63)	16-3 (4.95)	20-1 (6.12)	17-7 (5.36)	21-6 (6.55)
	SAE 2ft flat bottom	ft-in (m)	14-5 (4.39)	14-5 (4.39)	18-4 (5.59)	16-1 (4.90)	20-0 (6.10)	17-5 (5.31)	21-5 (6.53)
B	Reach from swing pivot	ft-in (m)	17-10 (5.44)	17-10 (5.44)	21-6 (6.55)	19-5 (5.92)	23-0 (7.01)	20-11 (6.38)	24-8 (7.52)
C	Reach from rear axle center	ft-in (m)	21-9 (6.63)	21-9 (6.63)	25-6 (7.77)	23-4 (7.11)	26-11 (8.20)	24-10 (7.57)	28-7 (8.71)
D	Max operating height	ft-in (m)	17-8 (5.38)	17-8 (5.38)	20-6 (6.25)	18-8 (5.69)	21-0 (6.40)	20-6 (6.25)	23-1 (7.04)
E	Loading height	ft-in (m)	11-2 (3.40)	11-2 (3.40)	14-0 (4.27)	13-0 (3.96)	15-3 (4.65)	14-4 (4.39)	16-4 (4.99)
F	Loading reach	ft-in (m)	5-3 (1.68)	5-5 (1.73)	9-1 (2.77)	6-6 (1.98)	10-2 (3.10)	7-2 (2.18)	10-10 (3.30)
	Swing arc	degrees	180°	180°	180°	180°	180°	180°	180°
	Stabilizers – transport	ft-in (m)	7-6 (2.29)	7-6 (2.29)	7-6 (2.29)	7-4.75 (2.25)	7-4.75 (2.25)	7-4.75 (2.25)	7-4.75 (2.25)
	Stabilizers – operating	ft-in (m)	10-10 (3.30)	10-10 (3.30)	10-10 (3.30)	10-10 (3.30)	10-10 (3.30)	10-10 (3.30)	10-10 (3.30)
	Leveling angle	degrees	15°	15°	15°	15°	15°	15°	15°
	Bucket rotation	degrees	185° Max Power / 201° Max Rotation						

BACKHOE PERFORMANCE

Machine Model		3CX-14 3CX-14 SUPER	3CX-15 SUPER	3CX-17 SUPER	4CX-14 SUPER	4CX-15 SUPER	4CX-17 SUPER
Breakout force	lbf (kgf)	13730 (6228)	16387 (7433)	16387 (7433)	13730 (6228)	16387 (7433)	16387 (7433)
Dipper tearout	lbf (kgf)	8605 (3903)	10245 (4647)	10690 (4849)	8605 (3903)	10245 (4647)	10690 (4849)
Lift capacity of bucket pivot at full reach	lbf (kgf)	6027 (2733)	7366 (3341)	7632 (3461)	6027 (2733)	7366 (3341)	7632 (3461)

## BACKHOE LIFT CAPACITIES

Machine model	3CX-14 SUPER 4CX-14 SUPER			3CX-15 SUPER 4CX-15 SUPER		3CX-17 SUPER 4CX-17 SUPER		
	Standard	Extradig - Retracted Extradig	Extradig - Extended	Extradig - Retracted Extradig	Extradig - Extended	Extradig - Retracted Extradig	Extradig - Extended	
<b>Boom lift capacity - SAE J31</b>								
+18	lb	-	-	-	-	-	2890	
+16	lb	-	2423	-	2318	4379	3074	
+14	lb	4233	2646	4646	2623	4464	3132	
+12	lb	4352	2714	4831	2762	4383	3131	
+10	lb	4250	2718	4807	2819	4254	3102	
+8	lb	4099	2691	4694	2832	4027	3056	
+6	lb	3939	2649	4378	2821	3793	2973	
+4	lb	3784	2601	4188	2841	3650	2887	
+2	lb	3640	2557	4096	2753	3580	2841	
Ground level	lb	3509	2503	4093	2668	3566	2832	
-2	lb	3390	2460	4105	2585	3450	2782	
-4	lb	3287	2424	4010	2504	3344	2735	
-6	lb	3205	2400	3937	2422	3250	2695	
-8	lb	3161	2394	3897	2334	3170	2665	
-10	lb	3246	2421	3928	2227	3113	2647	
-12	lb	-	2528	4216	2053	3103	2653	
-14	lb	-	3001	-	1547	3315	2700	
-16	lb	-	-	-	1546	-	2856	
-18	lb	-	-	-	-	-	3691	
<b>Dipper lift capacity - SAE J31</b>			1940 (880)	1984 (880)	1940 (880)	1984 (880)	1940 (880)	1984 (880)
+18	lb	-	-	-	-	-	4312	
+16	lb	-	3331	-	4067	5383	4456	
+14	lb	6357	3682	5165	4212	6147	4483	
+12	lb	6991	3842	5280	4261	6937	4468	
+10	lb	7090	3931	5170	4278	7488	4446	
+8	lb	7193	4002	5406	4300	8084	4440	
+6	lb	7528	4098	6197	4359	9167	4475	
+4	lb	-	4279	-	4505	14667	4594	
+2	lb	-	4716	-	4883	-	4931	
Ground level	lb	-	-	-	-	-	-	

## ENGINE ( T4F/STAGE TIER 4 EMISSIONS)

Machine model		3CX-14	3CX-14 SUPER	3CX-14 SUPER – 4CX-17 SUPER
Manufacturer		JCB	JCB	JCB
Model		EcoMax	EcoMax	EcoMax
Capacity	liters	4.4	4.4	4.4
Aspiration		Turbocharger & Intercooler	Turbocharger & Intercooler	Turbocharger & Intercooler
Cylinders		4	4	4
Gross hp – SAE J1995 (ISO 14396)	hp (kW)	74 (55)	91 (68)	109 (81)
Nett HP – SAE J1349	hp (kW)	71 (53)	86 (64)	101 (75)
Max torque	lb ft (Nm)	295 (400) @ 1200	320 (433) @ 1500	381 (516) @ 1500
Valves per cylinder		4	4	4
Air cleaner		Integrated pre-cleaner, scavenged	Integrated pre-cleaner, scavenged	Integrated pre-cleaner, scavenged

## ELECTRICAL SYSTEM

Machine model		3CX-14	3CX SUPER, 4CX SUPER
System voltage	Volts	12	12
Alternator output	Amps	95	150
Battery capacity	Amps	110 (900 CCA) / 120 (1000 CCA)	

## HYDRAULIC SYSTEM

Machine model		3CX-14	3CX-14 SUPER – 4CX-17 SUPER	
Control type		Advanced EasyControl	Manual and EasyControl	Advanced EasyCont
Pump type		Variable Flow	Variable Flow	
Circuit type		Closed Center	Open Center	Closed Center
Pump output	gpm (lpm)	44 (165)	44 (165)	
Relief pressure	psi (bar)	3650 (252)	3650 (252)	
Filter rating	Micron	5/12	5/12	

## FRONT AXLE

Machine model		3CX-14 – 3CX-14 SUPER – 3CX-17 SUPER	4CX-14, 4CX-17 SUPER
Drive		4WD	4WD
Type		JCB Max-Trac torque Proportioning	JCB LSD with Outboard planetary drive
Static load rating	lbs (kg)	36376 (16499)	55125 (25011)
Dynamic load rating	lbs (kg)	18300 (8303)	27562 (12505)
SAE J43 rating	lbs (kg)	24150 (10977)	33069 (15000)
Oscillational angle	degrees	+/- 8	+/- 8

## REAR AXLE

Machine model		3CX-14 & 3CX-14 – 3CX-17 SUPER	4CX-14 – 4CX-17 SUPER
Drive		4WD	4WD
Type		JCB LSD with Outboard planetary drive	JCB LSD with Outboard planetary drive
Static load rating	lbs (kg)	55125 (25011)	55125 (25011)
Dynamic load rating	lbs (kg)	27562 (12505)	27562 (12505)
SAE J43 rating	lbs (kg)	24150 (10977)	36228 (16433)

## STEERING

Machine model		3CX-14 – 3CX-14 SUPER – 3CX-17 SUPER	4CX-14 – 4CX-17 SUPER
Drive		Power Track Rod	Power Track Rod
Type		2¾	2¾
Curb – curb turning circle – unbraked	ft-in (mm)	26-5 (8.1)	29-10 (9.1)
Loader clearance circle – unbraked	ft-in (mm)	34-1 (10.4)	35-1 (10.7)
Curb – curb turning circle – braked	ft-in (mm)	22-8 (6.9)	26-3 (8.0)
Loader clearance circle – braked	ft-in (mm)	31-2 (9.5)	31.2 (9.5)

(Depending on tire size, ground conditions, etc.)



## TRANSMISSION

Machine model	3CX-14		3CX-14 SUPER – 3CX-17 SUPER 4CX-14 SUPER – 4CX-17 SUPER	
	JCB	JCB	JCB	JCB
Manufacturer	JCB	JCB	JCB	JCB
Type	Manual	Powershift	Powershift	Autoshift
Gear selection	Syncroshuttle	Powershift	Powershift	Powershift/Autoshift
Shuttle control – F/R	Power Shuttle	Power Shuttle	Power Shuttle	Power Shuttle
Gears forward/Reverse	4F/4R	4F/4R	4F/4R	6F/4R
Torque converter Ratio	2.52:1	2.52:1	2.52:1	2.52:1
Rear Tyres fitted	19.5-24 tires	19.5-24 tires	19.5-24 tires	440-28 tires
Gear 1 mph (kph)	3.0 (4.9)	3.2 (5.1)	3.2 (5.1)	3.2 (5.1)
Gear 2 mph (kph)	5.3 (8.6)	5.2 (8.3)	5.2 (8.3)	5.3 (8.6)
Gear 3 mph (kph)	12.3 (19.8)	11 (17.7)	11 (17.7)	7.2 (11.6)
Gear 4 mph (kph)	22.8 (36.7)	22.8 (36.7)	22.8 (36.7)	11.6 (18.7)
Gear 5 mph (kph)	-	-	-	19.3 (31.1)
Gear 6 mph (kph)	-	-	-	26 (41.8)

## SERVICE CAPACITIES

Machine model		3CX-14 – 3CX-14 SUPER – 3CX-17 SUPER	4CX-14 SUPER – 4CX-17 SUPER
		gal (l)	gal (l)
Cooling system	gal (l)	4.9 (19)	4.9 (19)
Fuel tank	gal (l)	39.6 (150)	39.6 (150)
Engine oil with filter	gal (l)	4 (15)	4 (15)
Transmission with filter	gal (l)	4.2 (16)	4.2 (16)
Front axle	gal (l)	4.2 (16)	4.2 (16)
Rear axle	gal (l)	4.2 (16)	4.2 (16)
Drive hubs	gal (l)	0.4 (2)	0.4 (2)
Hydraulic system including tank	gal (l)	31 (117)	35 (132)

## STANDARD FEATURES

Machine model	3CX-14	3CX SUPER	4CX SUPER
Loader	Parallel lift Loader arms, Shovel Float.	Parallel lift Loader arms, Auto SRS, Return to Dig, Shovel Float.	Parallel lift Loader arms, Auto SRS, Return to Dig, Shovel Float.
Excavator	Standard Lift rams, Fixed dipper.	5 Ton lifting point, Fixed dipper, Heavy Lift rams.	5 Ton lifting point, Fixed Dipper, Heavy lift rams.
Cab	Livelink, Auto Daily Checks, auto idle, Auto throttle, Auto boomlock, Auto stabilizers, Seat Mounted servo levers.	Livelink, Auto Daily Checks, Auto Idle, Auto Throttle, Auto Boomlock (Servo Only), Seat Mounted servo levers.	Livelink, Auto Daily Checks, Auto Idle, Auto Throttle, Auto Boomlock (Servo Only), Seat Mounted servo levers.
Driveline/chassis	74hp (55kW) Ecomax T4F engine, Syncroshuttle.	91hp (68kW) Ecomax T4F engine, Powershift, Front Bumper bars, Auto Stabilizers (Servo only).	109hp (81kW) Ecomax T4F engine, Powershift, Torquelock, Front Bumper bars, Auto Stabilizers (Servo only).
Hydraulic system	Variable flow pump.	Variable flow pump.	Variable Flow Pump.

## OPTIONAL FEATURES

	Extending dipper, Powershift Transmission, 5 Ton Lifting point, Hammer pipework, Bi-Directional pipework, Auto Pre-heat, Air Conditioning, Heated Front Screen, coffee machine, Hand held tool circuit (HHTC), Large selection of hand held tools, Front loader quick hitch, Hydraulic Excavator quickhitch, Hydraulic Thumb, Range of GP and 6-in-1 shovels, Clam Ram Guards, Range of excavator buckets, Galaxy/Michelin tyres.	Extending Dipper, 109hp (81kw) Ecomax T4F engine, 6 speed Autoshift, Torquelock, 5/8" Loader Pipework, Hammer pipework, Bi-Directional pipework, Auto Pre-heat, Air Conditioning, Heated Front Screen, coffee machine, Hand held tool circuit (HHTC), Large selection of hand held tools, Front loader quick hitch, Hydraulic Excavator quickhitch, Hydraulic Thumb, Range of GP and 6-in-1 shovels, Clam Ram Guards, Range of excavator buckets, Galaxy/Michelin tyres.	Extending dipper, 6 speed Autoshift, 5/8" Loader Pipework, Hammer pipework, Bi-Directional pipework, Auto Pre-heat, Air Conditioning, Heated Front Screen, coffee machine, Hand held tool circuit (HHTC), Large selection of hand held tools, Front loader quick hitch, Hydraulic Excavator quickhitch, Hydraulic Thumb, Range of GP and 6-in-1 shovels, Clam Ram Guards, Range of excavator buckets, Galaxy/Michelin tyres.
--	---	--	--

# A FEW WORDS ABOUT JCB.



**Lord Bamford**, the son of Mr. JCB, still runs the company today.

## A family company on a global scale

JCB is no ordinary company. From the dreams of one man, Joseph Cyril Bamford, we have grown into the world's largest privately owned construction equipment company by volume. Since 1945, the same attention to detail, passion for progress and family spirit has taken us from strength to strength. Nowadays, JCB operates across all five continents, manufacturing at 22 factories in the UK, Brazil, Germany, China, North America and India. With 1,500 dealerships and depots selling and supporting our products in over 150 countries, we are one of the top three manufacturers of construction equipment with some of the finest engineering facilities in the world.

## A history of world-class innovation

Our business has always been driven by innovation, using only the most advanced technology, components and processes, meticulous design and rigorous testing. Evidence of this doesn't come much more powerful than our revolutionary JCB Dieselmox engine. Having grabbed the headlines when it smashed the world land speed record at 350.092mph, it is now providing our customers with tomorrow's performance today.

## Sustainability in all we do

As a manufacturer of working machinery, operating in both established and emerging markets, we accept the challenge of helping to deliver economic

and environmental sustainability. Product innovations that provide the right solutions to our customers have been a vital part of our history and will be key to our sustainable future. But in addition to developing cleaner and more efficient machines, we have a commitment to ensuring our manufacturing facilities meet the highest environmental standards.

## A commitment to our customers that goes on

That's a fact we remind ourselves of constantly, and it's the reason our customers are at the heart of everything we do. Whatever a customer needs, we make it our mission to provide world-class support and 100% satisfaction. At the heart of this is a dedication to minimizing machine downtime. So our state-of-the-art World Parts Center dispatches more than a million genuine parts and attachments every week, with an 'Anywhere in 24 hours' strategy. Our JCB-trained technicians provide excellent, expert customer care, whether it's routine servicing or something more urgent.



**Almost 1 out of every 2 backhoe loaders sold in the world is a JCB.**

## 1940's

Joseph Cyril Bamford builds his first two-wheeled tipping trailer using a war-surplus Jeep axle and wheels in this rented garage in the United Kingdom.



## 1950's

JCB continues to expand its product line and moves its factory to larger quarters. By inventing the first backhoe loader, JCB revolutionizes the construction industry by giving contractors access to simple, powerful earthmovers.



## 1960's

JCB expands its factory, virtually doubling production capabilities. The company launches the forerunner of today's Jet Visit Program, acquiring an airplane and flying in customers for factory tours.



## 1970's

As demand for JCB products soars, the company exports its machines to Germany, Holland, Italy, Spain and Canada. JCB's Loadall Telescopic Handler revolutionizes the building industry by enabling bricks to be lifted on pallets.



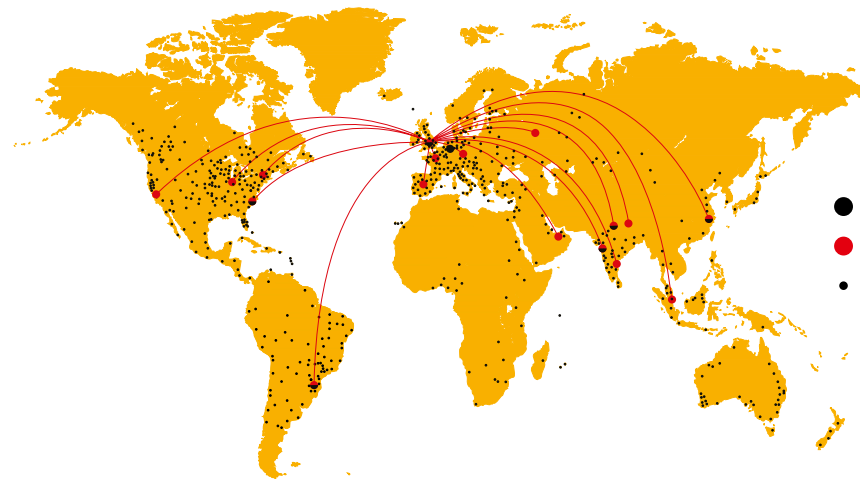


**Built in 2000, the JCB North American Headquarters in Savannah, Georgia supports all United States and Canadian dealers and manufactures the world's safest skid steer and compact tracked loader.**

### JCB in North America

JCB has been in North America for over 40 years, but made a huge commitment to the market in 2000, when the North American business and manufacturing center was built in Savannah, Georgia. From this 500,000 square foot facility, JCB supports over 120 dealers in the United States and Canada, providing parts, training and expertise. The Savannah manufacturing floor produces the world's safest skid steer and compact tracked loader.

From Savannah, we are also proud to manufacture the High Mobility Engineer Excavator (HMEE), a high-speed fully armored backhoe loader currently in use by the U.S. Army.



- Manufacturing Facilities
- Parts Distribution Centers
- Dealers

To find out more about the full range of JCB construction equipment, and to find the dealer nearest you, please visit [www.jcbna.com](http://www.jcbna.com).



**Built in Savannah, the fully armored JCB High Mobility Engineer Excavator (HMEE) is the world's toughest backhoe.**

**2 YEAR WARRANTY**

**Protection comes standard**

- Industry best standard 2-year warranty
- Includes 3-year structural warranty
- Full JCB machine range covered
- First year warranty covers unlimited hours, second year covers up to 2000 hours

JCB is committed to the best aftersales support in the industry. The 2 year standard warranty can be serviced by any authorized JCB dealership and is transferable during the standard 2 year period.



### 1980's



JCB expands its product range to wheeled and tracked excavators. The company develops the first – and still the only – true, high-speed tractor, the Fastrac. JCB launches its telescopic handler in the U.S.

### 1990's



The revolutionary monoboom skid steer is introduced to the compact range of equipment, quickly heralded as the safest skid steer on the market because of its unique side-door entry.

### 2000's



JCB builds its North American headquarters near Savannah. The JCB Dieselmax engine breaks the land speed record. The company begins manufacturing its own diesel engines. The U.S. Army contracts 800 HMEES, to be built in Savannah.

### Tomorrow

JCB's commitment to be 'Never Content' will remain. We will continue to develop innovative machines that will better help our customers get the job done. Our family of dealers will continue to grow, insuring you the world-class service and support no matter where you operate your JCB.



**ONE COMPANY, OVER 300 MACHINES.**

**BACKHOE LOADER 3CX-14/3CX SUPER/4CX SUPER**

Gross power: 74, 91, 109hp Maximum dig depth: 14ft-7" (4.45m) – 21ft-6" (6.55m)

**JCB North American – Headquarters**

Savannah. 2000 Bamford Blvd., Savannah, Georgia, 31322 Tel: (912) 447-2000

Download the very latest information on this product range at [www.jcb.com](http://www.jcb.com)

JCB inc. All rights reserved. No part of this publication may be reproduced, stored in a retrieval system, or transmitted in any form or by any other means, electronic, mechanical, photocopying or otherwise, without prior permission from JCB inc. All references in this publication to operating weights, sizes, capacities and other performance measurements are provided for guidance only and may vary dependant upon the exact specification of machine. They should not therefore be relied upon in relation to suitability for a particular application. Guidance and advice should always be sought from your JCB Dealer. JCB reserves the right to change specifications without notice. Illustrations and specifications shown may include optional equipment and accessories. The JCB logo is a registered trademark of J C Bamford Excavators Ltd.

Your nearest JCB Dealer

DWUSA 9999/5893 03/15 ltr 1

 /JCBNA 
  /JCBNA 
  /JCBNORTHAMERICA

