

# KOMATSU®

## PC27MR-3

NET HORSEPOWER

19.2 kW 25.7 HP

OPERATING WEIGHT

2930 kg 6,460 lb

**PC**  
**27MR**

COMPACT HYDRAULIC  
EXCAVATOR



Photo may include optional equipment.

# WALK-AROUND

## *Performance and Versatility*

- Standard auxiliary hydraulics
- Standard thumb mounting bracket
- Three track options: Rubber, steel, roadliner
- Automatic two-speed travel
- ISO/SAE pattern change valve

## *Service and Maintenance*

- Wide opening engine hood and side covers
- Side-by-side radiator and oil cooler are easily inspected
- Grease points for work equipment are on the same side of the boom and arm
- Tilt-forward operator's station provides full access to engine and hydraulic components
- Hydraulic hoses are alpha-numerically marked or color coded making them easy to identify

## *Operator Comfort*

- Large operator platform
- Adjustable suspension seat with retractable seat belt
- Pilot proportional joystick controls
- Easy entry and egress
- Low noise



KOMTRAX equipped machines can send location, SMR and operation maps to a secure website utilizing wireless technology.

**NET HORSEPOWER**  
19.2 kW 25.7 HP

**OPERATING WEIGHT**  
2930 kg 6,460 lb

**DIG DEPTH**  
2840 mm 9'4"



***Value, Durability, and Strength***

- KOMTRAX® wireless equipment monitoring system
- High strength X-track frame
- Castings are used for boom foot, tip, and swing yoke
- Large diameter swing pin
- Reinforced arm
- O-ring face seal hydraulic fittings
- Moisture/dust resistant electrical connectors

***Peace of Mind***

- Two-post ROPS canopy or ROPS cab
- Neutral engine start system
- Excellent visibility enhances job site awareness
- Low emission Komatsu engine with dual element air cleaner
- One key operates the ignition and all machine locks

Photos may include optional equipment.

# OPERATOR ENVIRONMENT



## ***Operator Station***

- Spacious canopy/cab with unobstructed floor provides the operator with ample leg room
- Folding travel pedals
- Upper rail sliding door (cab models)
- Air conditioning provides a comfortable operating space throughout the year (cab models)
- Two-post ROPS canopy provides unequalled visibility
- Fully adjustable suspension seat reduces operator fatigue
- PPC joystick controls are low effort and provide fine control
- Gauges and indicator lights are easy to read

# FEATURES



### Tight Tail Swing

The operator can focus more on the work in front and worry less about rear swing clearance, even in confined areas with only an 80 mm 3.1" projection over the tracks.



### Pattern Change Valve

Whether you are comfortable with ISO or SAE, you can easily change from one to the other.



### Excellent Visibility

The operator's station design allows the operator to maintain a 360° field-of-view.



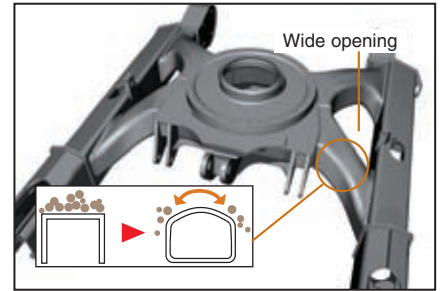
### Tilt-Up Operator Compartment

The operator compartment tilts forward for easy access to hydraulic and engine components.



### Wide Opening Engine Hood and Side Covers

Allow easy access for daily checks and regular maintenance.



### High Strength X-Track Frame

X-track frame is a large hydraulic excavator concept and deters the build-up of dirt and debris, saving the operator valuable time when cleaning the machine.



### Neutral Engine Start System

Locks out drives and hydraulics during machine start up.



### Manual Selector Valve

Allows the operator to switch between one-way (Breaker) and two-way auxiliary hydraulic flow (Thumb).



### Large Diameter Swing Pin

Has high durability and maintains suitable clearances between pin and bushing after long-term operation.

### Extended Maintenance Intervals

Lubricate swing circle	500 hrs
Lubricate work equipment	500 hrs
Replace engine oil and filter	500 hrs
Fuel filter	500 hrs
Hydraulic filter	1000 hrs

### Three Track Options Available



Rubber



Steel

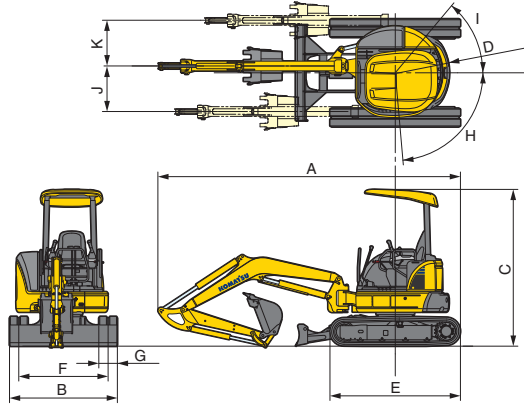


Roadliner





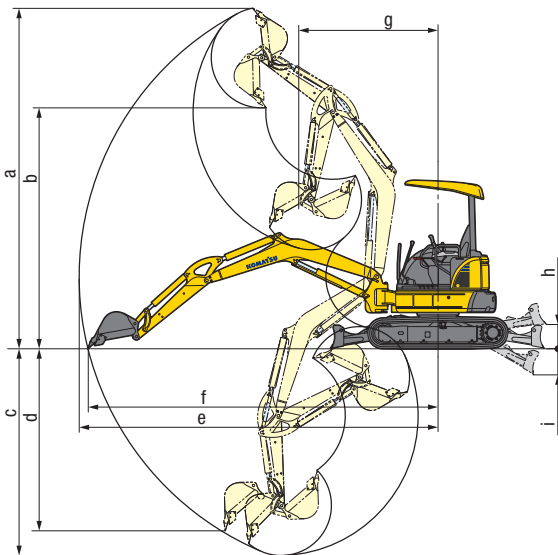
**DIMENSIONS**



A	Overall length	4275 mm <b>14'0"</b>
B	Overall width	1550 mm <b>5'1"</b>
C	Overall height	2520 mm <b>8'3"</b>
D	Tail swing radius	855 mm <b>2'9"</b>
E	Crawler length	1950 mm <b>6'4"</b>
F	Track gauge	1250 mm <b>4'1"</b>
G	Track shoe width	300 mm <b>11.8"</b>
H/I	Boom swing angle	Left 80°/Right 50°
J/K	Bucket offset	LH 580 mm/RH 845 mm <b>LH 1'10"/RH 2'9"</b>



**WORKING RANGE**



a	Maximum digging height	4840 mm <b>15'10"</b>
b	Maximum dumping height	3390 mm <b>11'1"</b>
c	Maximum digging depth	2840 mm <b>9'4"</b>
d	Maximum vertical digging depth	2370 mm <b>7'9"</b>
e	Maximum digging reach	4930 mm <b>16'2"</b>
f	Maximum reach-ground level	4840 mm <b>15'10"</b>
g	Minimum swing radius (With boom swing)	1980 mm <b>6'5"</b> (1660 mm <b>5'5"</b> )
h	Maximum blade lift	360 mm <b>1'2"</b>
i	Maximum blade depth	315 mm <b>1'</b>



**LIFTING CAPACITY**

Blade on ground		2 m 6.5'		3 m 10'		4 m 13'		Maximum Reach		Unit: kgf lbf
		Front	Side	Front	Side	Front	Side	Front	Side	
Arm Length 1375 mm 4'6"	3 m 10'	—	—	520* 1146*	425 937	—	—	605* 1334*	275 606	
	2 m 6.5'	1210* 2668*	785 1731	680* 1499*	410 904	620* 1367*	240 529	625* 1378*	215 474	
	1 m 3.25'	—	—	975* 2150*	375 827	705* 1554*	230 507	655* 1444*	195 430	
	0 m 0'	2305* 5082*	660 1455	1155* 2546*	355 783	750* 1653*	225 496	695* 1532*	205 452	
	-1 m -3.25'	1995* 4398*	670 1477	1085* 2392*	350 772	—	—	735* 1620*	260 573	

\*Load is limited by hydraulic capacity rather than tipping. Rated loads do not exceed 87% of hydraulic capacity or 75% of tipping load.



## STANDARD EQUIPMENT

---

- Air cleaner, dual element
- Automatic two-speed travel control
- Auxiliary hydraulics with selector valve
- Backfill blade
- KOMTRAX®
- Pattern change valve
- Rearview mirrors
- Rubber track
- Suspension seat with 50 mm 2" wide retractable seat belt
- Travel alarm
- Travel pedals
- Two-post ROPS canopy



## OPTIONAL EQUIPMENT

---

- 76 mm 3" retractable seat belt
- Additional work light (cab or canopy)
- Cab with air conditioner, radio ready, and 12 V outlet
- Road liner track
- Steel track
- Wide variety of attachments

**KOMATSU**®