

KOMATSU®

PC88MR-8

NET HORSEPOWER

49 kW **65 HP**

OPERATING WEIGHT

8420 kg **18,558 lb**

PC
88MR

COMPACT HYDRAULIC
EXCAVATOR



Photo may include optional equipment.

WALK-AROUND

Performance and Versatility

- Standard auxiliary hydraulics
- Five working modes: Power, Economy, Lifting, Attachment, Breaker
- Three track options: Rubber, steel, roadliner
- Automatic two-speed travel
- ISO/SAE pattern change valve

Service and Maintenance

- Wide opening engine hood and side covers
- Side-by-side radiator and oil cooler are easily inspected
- Extended lubrication intervals
- Ground level maintenance
- Easy access to engine oil filter, engine main fuel filter, and fuel drain valve



KOMTRAX[®]

KOMTRAX equipped machines can send location, SMR and operation maps to a secure website utilizing wireless technology. Machines also relay error codes, cautions, maintenance items, fuel levels, and much more.

NET HORSEPOWER
49 kW 65 HP

OPERATING WEIGHT
8420 kg 18,558 lb

DIG DEPTH
4615 mm 15'2"

Operator Comfort

- Large cab with air conditioner
- Fully adjustable cloth suspension seat with retractable seat belt
- Pilot proportional joystick controls with thumb control for hydraulic attachments
- Easy-to-see 7" multi-function color monitor
- Low noise cab



Value, Durability, and Strength

- KOMTRAX® wireless equipment monitoring system
- High strength X-track frame
- Castings are used for boom foot, tip, and swing yoke
- Large diameter swing pin
- O-ring face seal hydraulic fittings
- Moisture/dust resistant electrical connectors

Peace of Mind

- Spacious cab with excellent visibility
- Neutral engine start system
- Thermal and fan guards
- Low emission Komatsu engine with dual element air cleaner
- One key operates the ignition and all machine locks

OPERATOR ENVIRONMENT



Operator Station

- Spacious canopy/cab with unobstructed floor provides the operator with ample leg room
- Large travel pedals
- Upper rail sliding door
- Air conditioning provides a comfortable operating space throughout the year
- Fully adjustable cloth suspension seat reduces operator fatigue
- PPC joystick controls are low effort and provide fine control
- 7" color monitor is easy to see and operate

FEATURES



Tight Tail Swing

The operator can focus more on the work in front and worry less about a rear swing impact, even in confined areas with only an 220 mm 8.7" projection over the tracks.



Pattern Change Valve

Whether you are comfortable with ISO or SAE, you can easily change from one to the other.



Excellent Visibility

The operator's station design allows the operator to maintain a 360° field-of-view.



7" Color LCD Monitor

The liquid crystal display can be easily read at various angles and lighting conditions. Simple and easy to operate switches. Industry-first function keys facilitate multi-function operations. Displays data in 12 languages.



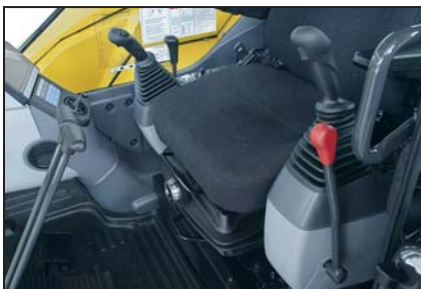
Ground Level Maintenance

With the left and right side service doors, it is possible to access the major maintenance points from ground level.



Side-by-side Cooling

Since oil cooler, aftercooler and radiator are arranged side-by-side, it is easy to clean, remove, and install them. Radiator, aftercooler, and oil cooler made of aluminum have high cooling efficiency and are easily recycled.



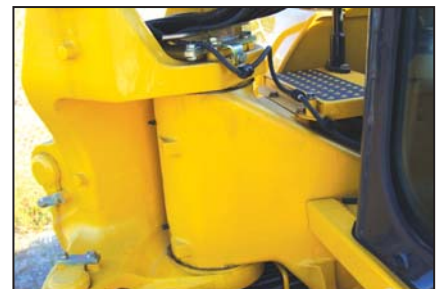
Neutral Engine Start System

Locks out drives and hydraulics during machine start up.



Manual Selector Valve

Allows the operator to switch between one-way (Breaker) and two-way auxiliary hydraulic flow (Thumb).



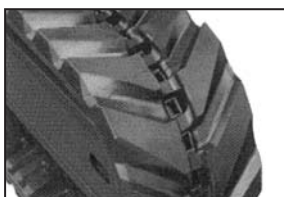
Large Diameter Swing Pin

Has high durability and maintains suitable clearances between pin and bushing after long-term operation.

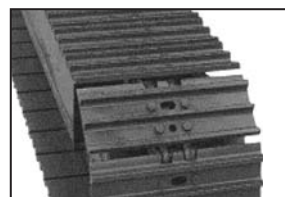
Extended Maintenance Intervals

Lubricate swing circle	500 hrs
Lubricate boom & arm	500 hrs
Replace engine oil and filter	500 hrs
Replace fuel pre-filter cartridge	500 hrs
Replace fuel main filter	1000 hrs
Replace hydraulic filter	1000 hrs

Three Track Options Available



Rubber



Steel



Roadliner

SPECIFICATIONS



ENGINE

Model Komatsu SAA4D95LE-5
 Type Water cooled, 4-cycle, direct injection
 Aspiration Turbocharged, and air-to-air aftercooled
 Number of cylinders 4
 Piston displacement 3.26 ltr **199 in³**
 Horsepower:
 Net (ISO 9249/SAE J1349) 49 kW **65 HP @ 1950 rpm**



ELECTRICAL SYSTEM

Operating voltage 24 V
 Battery 55 Ah/2 x 12 V
 Alternator 35 A/24 V
 Starter 4.5 kW/24 V



HYDRAULIC SYSTEM

Type HydraMind (Hydraulic Mechanical Intelligence New Design) system, Closed-center system with load-sensing valve and pressure-compensated valve

Main pumps:
 Type Variable displacement, axial piston
 Maximum flow 160 ltr/min **42.3 U.S. gal/min**

Type Fixed displacement gear
 Maximum flow 70 ltr/min **18.5 U.S. gal/min**

Hydraulic motors:
 Travel 2 x piston motor with parking brake
 Swing 1 x piston motor with swing holding brake

Relief valve setting:
 Implement, travel circuit 26.5 MPa 270 kgf/cm² **3,840 psi**
 Swing and blade circuit 21.1 MPa 215 kgf/cm² **3,060 psi**



PERFORMANCE

Travel speed
 High 5.1 km/hr **3.2 mph**
 Low 2.9 km/hr **1.8 mph**
 Swing speed 10 rpm
 Ground pressure 0.38 kg/cm² **5.4 psi**
 Max. drawbar pull 66.9 kN 6820 kgf **15,050 lbf**
 Gradeability 35°
 Bucket digging force (ISO) 6250 kg **13,780 lb**
 Arm crowd force (ISO) 3700 kg **8,160 lb**



SWING SYSTEM

Driven by Hydraulic motor
 Swing reduction Planetary gear
 Swing circle lubrication Grease-bathed
 Swing lock Automatic, with oil immersed discs



DRIVES AND BRAKES

Steering control Two levers with pedals
 Drive method Fully hydrostatic
 Service brake Hydraulic lock
 Parking brake Mechanical discs



UNDERCARRIAGE

Center frame X-frame
 Track frame Box-section
 Track type Sealed track
 Track adjuster Grease gun
 Number of carrier rollers 1 each side
 Number of track rollers 5 each side



REFILL CAPACITIES

Fuel tank	125 ltr	33.0 U.S. gal
Radiator	10 ltr	2.6 U.S. gal
Engine	11.5 (11.0) ltr	3.0 (2.9) U.S. gal
Final drive, each side	1.1 ltr	0.3 U.S. gal
Swing drive	2.8 ltr	0.7 U.S. gal
Hydraulic tank	100 (56) ltr	26.4 (14.8) U.S. gal



OPERATING WEIGHT (APPROXIMATE)

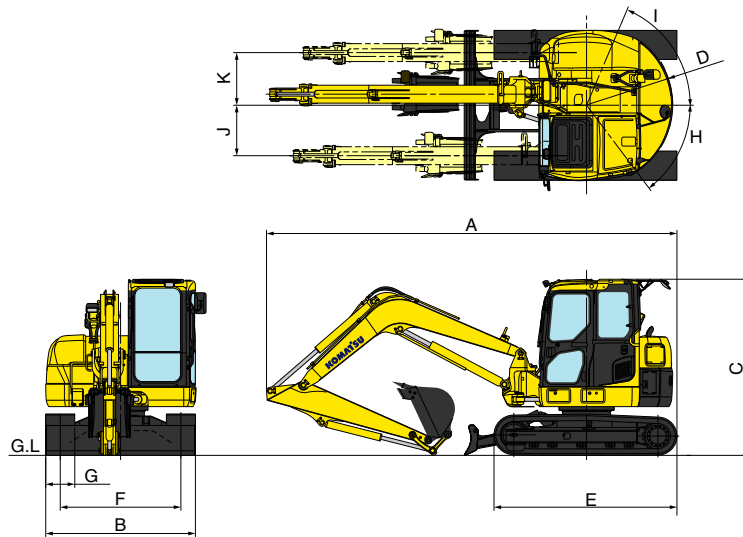
Operating weight including 3405 mm **11'2"** one-piece boom, 2100 mm **6'11"** arm, SAE heaped 0.28 m³ **0.37 yd³** backhoe bucket, blade, rated capacity of lubricants, coolant, full fuel tank, operator, and standard equipment.

Operating weight (with ROPS canopy and rubber shoe) 8420 kg **18,558 lb**



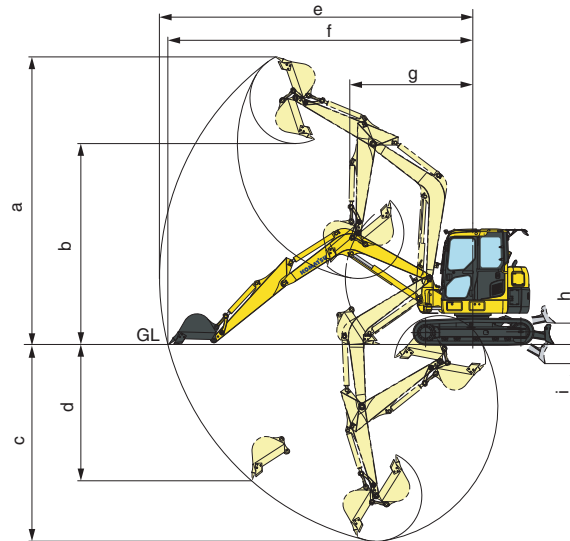
DIMENSIONS

A	Overall length	6350 mm 20'10"
B	Overall width	2330 mm 7'8"
C	Overall height	2730 mm 8'11"
D	Tail swing radius	1335 mm 4'5"
E	Crawler length	2840 mm 9'4"
F	Track gauge	1870 mm 6'2"
G	Track shoe width	450 mm 17.7"
H/I	Boom swing angle	Left 53°/Right 67°
J/K	Bucket offset	LH 785 mm/RH 815 mm LH 2'7"/RH 2'8"



WORKING RANGE

a	Maximum digging height	6750 mm 22'2"
b	Maximum dumping height	4720 mm 15'6"
c	Maximum digging depth	4615 mm 15'2"
d	Maximum vertical digging depth	3165 mm 10'5"
e	Maximum digging reach	7345 mm 24'1"
f	Maximum reach-ground level	7150 mm 23'5"
g	Minimum swing radius (With boom swing)	2900 mm 9'6" (2545 mm 8'4")
h	Maximum blade lift	500 mm 1'8"
i	Maximum blade depth	440 mm 1'5"



LIFTING CAPACITY

Blade on ground		Unit: kgf lbf							
		1.5 m 4'11"		3.0 m 9'10"		4.5 m 14'9"		Maximum Reach	
		Front	Side	Front	Side	Front	Side	Front	Side
Arm Length 2100 mm 6'11"	5 m 16'5"	—	—	—	—	—	—	1310* 2890*	1130 2490
	3 m 9'10"	—	—	—	—	1430* 3160*	1390 3080	1430* 3170*	760 1680
	0 m 0'	—	—	3980* 8770*	2170 4790	2860* 6300*	1180 2600	1940* 4280*	690 1530
	-2 m 6'7"	4870* 10730*	3950* 8720*	5440* 12000*	2160 4760	3060* 6750*	1140 2520	2460* 5430*	920 2040

*Load is limited by hydraulic capacity rather than tipping. Ratings are based on SAE Standard No. J1097. Rated loads do not exceed 87% of hydraulic capacity or 75% of tipping load.



STANDARD EQUIPMENT

- Air cleaner, dry type, double element with auto dust evacuator
- Automatic two-speed travel control
- Auxiliary hydraulics with selector valve
- Backfill blade
- Cab includes: Air conditioner, am/fm radio, 12 V & 24 V outlet, floor mat, intermittent front windshield wiper and washer, large ceiling hatch, pull-up front window, removable lower windshield
- 7" color multi-function monitor
- KOMTRAX®
- Rear view mirrors (LH, rear)
- Starting motor 4.5 kW
- Suspension seat with 78 mm 3" wide retractable seat belt
- Travel alarm
- Travel pedals
- Work light on boom
- Work light on cab



OPTIONAL EQUIPMENT

- Shoes
 - 450 mm 17.7" Road Liner
 - 450 mm 17.7" rubber shoe
 - 450 mm 17.7" triple grouser
 - 600 mm 23.6" triple grouser
- Wide blade
- Wide variety of attachments

KOMATSU®