

NEW

JCB SKID STEER & COMPACT TRACK LOADER RANGE



JCB SKID STEER & COMPACT TRACK LOADER | RANGE



REDEFINING skid steers

Contents

Strength inside and out	pages 4 – 5
Intelligent design with added safety	pages 6 – 7
No compromise on performance	pages 8 – 9
A sound investment	pages 10 – 11
Work in total comfort	pages 12 – 13
More accessibility means less downtime ...	pages 14 – 15
Specification	pages 16 – 20
Value added & attachments	pages 21
A few words about JCB	pages 22 – 23



STRENGTH INSIDE AND OUT

BEFORE YOU BUY A SKID STEER OR COMPACT TRACK LOADER, YOU NEED TO KNOW IT'S GOING TO BE TOUGH ENOUGH TO PERFORM ANY JOB YOU ASK OF IT. FORTUNATELY, WITH JCB, STRENGTH AND DURABILITY COME AS STANDARD.



PowerBoom

- 1 A JCB SSL and CTL reinforced PowerBoom is made of high tensile strength steel, with internal baffle plates for long life durability.
- 2 Hydraulic hoses are routed within the main boom structure giving maximum protection.
- 3 Our advanced manufacturing and assembly processes produce high precision and quality assembled components.

Components

- 4 Our engine technology is tried and proven; we've built 200,000 DIESELMAX units since 2004. To ensure similar longevity, the EcoMAX T4i/ Stage 3B engine has been tested for 110,000 hours in 70 different machines across the toughest of applications and environments.
- 5 The JCB Loader comes with a large loader arm cross-member which provides added strength with the use of a standard mechanical quickhitch, or a optional hydraulic quickhitch.



PowerBoom design provides for left side entry, allowing the operator to safely enter and exit through the door.

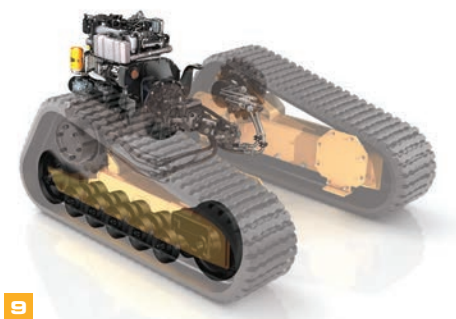




Structural strength

- ▣ Our stiff, durable door design gives great strength and rigidity.
- ▣ Single piece chassis strengthens rigidity and structural life.
- ▣ Forged steel axles + 100 HS chain on LP and 80 HS on SP for durability.
- ▣ Solid undercarriage system with cast steel triple flanged rollers, improving track retention.
- ▣ Fuel tank located within loader tower for increased protection and features an easy to access drain port.

UNEARTHED: KEY FACT
JCB's PowerBoom has up to 20% more steel in one boom than the two arms of competitive units



INTELLIGENT DESIGN WITH ADDED SAFETY

THE JCB SKID STEER WILL HELP YOU WORK SMARTER RATHER THAN HARDER. YOU'LL GET MORE DONE WITH LESS EFFORT THANKS TO JCB'S ATTENTION TO ENGINEERING DETAIL IN EACH MACHINE. NOW THERE'S NO NEED TO REMOVE LOADS OF MATERIAL TO GET IN AND OUT OF THE MACHINE.

Ordinary Skid Steer

165° Visibility



JCB Skid Loader

270° Visibility



With the single low slung PowerBoom the operator has excellent visibility on the left and right side of the machine.

Safety

1 60% better visibility than competitors - 270° vs 165°, JCB's PowerBoom design eliminates the need for a rear torque tube on vertical lift models, as traditionally found on competitor machines which further enhances rearward visibility.

2 JCB's exclusive left side entry door allows the operator to easily enter and exit the machine without having to climb over large cumbersome attachments or under an unsupported boom.



JCB sets the standard for safety by having its unique side entry door preventing operators from having to climb over dangerous attachments to enter the machine.

3 Mesh free cab - laminate glass gives operators unhindered visibility all around the machine.

4 Standard rear-view mirror placed at the operator's eye level further enhances operator visibility.

5 Emergency exit is through the front of the machine instead of through the much smaller rear window as required with traditional twin arm skid steers.

UNEARTHED: KEY FACT
 JCB's Tier 4 solution does not require after treatment therefore there is no compromise to visibility or service access



NO COMPROMISE ON PERFORMANCE

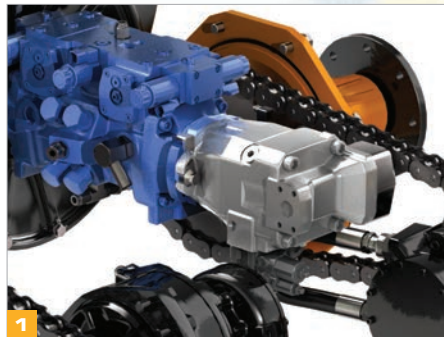
POWER AND PERFORMANCE ARE QUALITIES EVERYONE WANTS IN THEIR SKID STEERS. JCB DELIVERS THE STRENGTH YOU NEED WITH THE EFFICIENCY YOU NEVER THOUGHT WAS POSSIBLE. IT SETS THE NEW STANDARD BY CHANGING YOUR EXPECTATIONS.

UNEARTHED: KEY FACT
JCB attachments are designed to meet stringent JCB standards. The universal mechanical quickhitch allows for easy interchange between attachments.



Maximum output

- 1 The 300 class models now feature variable displacement piston pump hydraulics for faster cycle times and smoother multi functioning.
- 2 31 different families of attachments provides ultimate versatility.
- 3 Optional 7-way multi-function joysticks allow the operator to use a wider variety of hydraulically driven attachments.
- 4 Standard mechanical or optional powered quickhitch allows for quick and efficient attachment hook up.



VERTICAL LIFT APPLICATIONS:
Loading applications, fork work, heavy construction, landscaping, applications requiring greater lifting capacities and load and carry operations.



RADIAL LIFT APPLICATIONS:
Landscaping, digging applications, excavation, asphalt work, farming, street construction and industrial applications



Versed in versatility

- 8 Vertical lift provides maximum lift capacity at maximum height and reach, great for loading applications.
- 6 Radial lift provides an improved digging geometry, and gives more reach at the mid point in the lift cycle, great for excavating applications.
- 7 High flow hydraulics expand the range of attachments that can be used with the machine.

- 8 JCB Smooth Ride System (SRS) allows the boom and load to move independently of the chassis, resulting in better load retention and operator comfort, giving faster loading cycles and shorter journey times.
- 9 Optional parallel lift helps keep the loads level throughout the lift cycle, particularly helpful with palletized loads.



A SOUND INVESTMENT

A JCB SKID STEER AND COMPACT TRACK LOADER ISN'T JUST EFFICIENT TO USE – IT'S ALSO EFFICIENT TO OWN AND OPERATE. WE'VE DESIGNED THESE MACHINES TO GIVE YOU THE MAXIMUM RETURN ON YOUR INVESTMENT, WITH GREAT FUEL EFFICIENCY, UNPARALLELED RESALE VALUE AND LOW RUNNING COSTS ALL PART OF THE PACKAGE.

EcoMAX efficiency

- 1 Our Tier 4 engines use up to 9% less fuel than our Tier 3 engines, saving you money.
- 2 High torque at lower RPM's for fuel-efficient matching of the transmission and hydraulics.

EcoMAX doesn't need exhaust after treatment, or costly heat-resistant lube oils saving money.

EcoMax does not require after treatment. The engine can be re-programmed to a non-emissionized state to operate on low quality fuels. This means our latest skid steers and compact track loaders can be resold across different territories, which improves residuals values.



ECOMAX ENGINE:

Wheeled 225, 260, 280, 300, 330
Tracked 225T, 260T, 300T, 320T



UNEARTHED: KEY FACT
 The EcoMAX engine does not require after treatment to achieve T4F compliance - reducing owner operating costs

EcoMAX efficiency

3 Faster cycle times with the optional 2-speed transmission for more speed around the job site.

Efficient cooling and air intake with cool air being pulled from the top of the cooling pack and pushed out through the sides and back for improved cooling and performance.

KOHLER ENGINE:
 Wheeled 135, 155, 175, 190, 205
 Tracked 150T, 190T, 205T



Kohler performance

4 The small platform machines feature Kohler KDI T4F engines which feature a maintenance free diesel-oxidation catalyst (DOC) and provide improved torque and fuel efficiency.

KDI 1903 TLR and KDI 2504 TLR engines feature an advanced combustion system that gives very low emissions and fuel consumption.

Kohler KDI engines do not have any serviceable after treatment such as DPF - lowering operating costs and maintenance.

WORK IN TOTAL COMFORT

FOR A MACHINE TO PROVIDE MAXIMUM EFFICIENCY, IT NEEDS TO BE INTUITIVE AND COMFORTABLE TO OPERATE. WITH THAT IN MIND, WE'VE DESIGNED THE JCB SKID STEER AND COMPACT TRACK LOADER RANGE TO PROVIDE THE MOST ERGONOMIC OPERATOR ENVIRONMENT POSSIBLE.



Comfort and convenience

- 1 All models feature an entry door that is more than double the size of the competition, ensuring easy entry and exit for any size operator
- 2 Largest operator area in the industry - 33% larger on average than the competition on large platform and 46% larger on average than the competition on small platform.
- 3 3 Operator response modes that let the operator select the drive responsiveness of the joystick movement tailoring the machine for specific tasks or conditions.
- 4 Optional pattern changeover between ISO and H-pattern.
- 5 Sliding window on left side increases ventilation on cab models.





Unmatched comfort

6 Fully adjustable mechanical suspension or optional heated air suspension seat for optimum comfort.

7 Machine option controls are ergonomically placed at roof level in the operator's line of sight.

8 The right control panel features machine diagnostics, an electronic throttle and the skid steer's ignition switch.

9 An optional multi-function joystick enables the user to operate a wider variety of hydraulically driven attachments.

10 Low effort servo controls. In cab storage in the left arm rest with 12v electrical receptacle.



MORE ACCESSIBILITY MEANS LESS DOWNTIME

WE'VE DESIGNED THE JCB SKID STEER AND COMPACT TRACK LOADER TO BE LOW MAINTENANCE AND EASY TO SERVICE. WHICH MAKES THEM AFFORDABLE, EFFICIENT AND HIGHLY PRODUCTIVE.



1



2



Serviceability

- 1 The JCB EcoMAX engine doesn't require a Diesel Particulate Filter (DPF) - simplifying service and reducing operating costs.
- 2 The small platform machines feature Kohler KDI T4 engines with a maintenance free diesel-oxidation catalyst (DOC) and provide improved torque and fuel efficiency.
- 3 Large rear opening door provides exceptional access to all daily maintenance points.

UNEARTHED: KEY FACT
One person can easily tilt the cab to access midship of the machine.

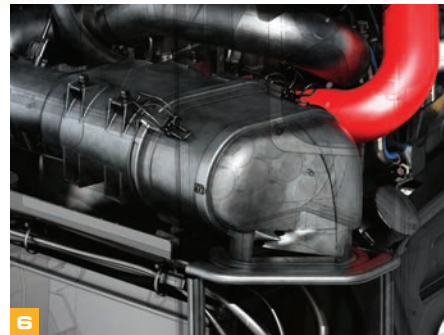


4 Tilting cab design enables easy access during more detailed machine maintenance.

5 Optional reversing fan that automatically reverses the airflow every 30 minutes or can be done as needed, by the operator using the reversing fan button on the left hand control panel.

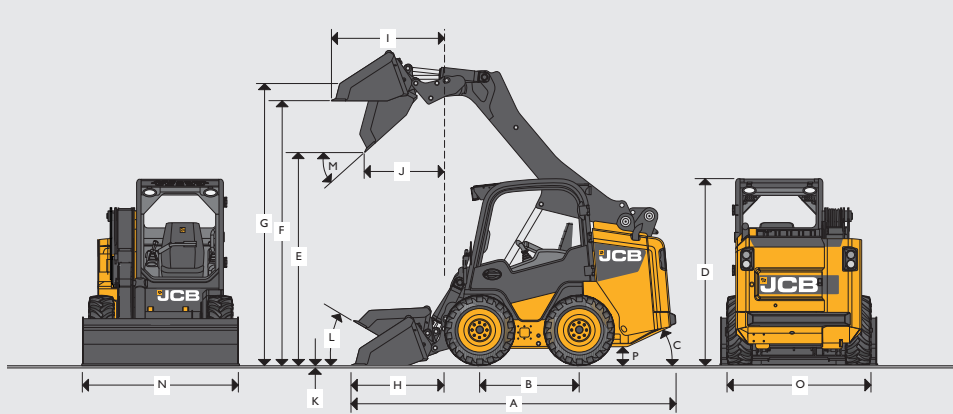
6 Air intake scavenge system as standard on large platform, reducing the build up of debris into the air filter, extending service intervals

7 O-ring face seal hydraulic fittings and 38 percent fewer parts mean less downtime.



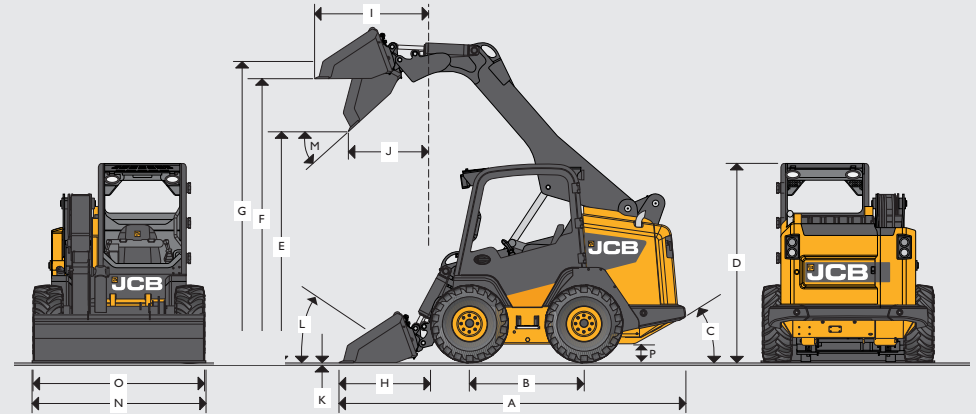
SPECIFICATION

SKID STEER AND COMPACT TRACK LOADER



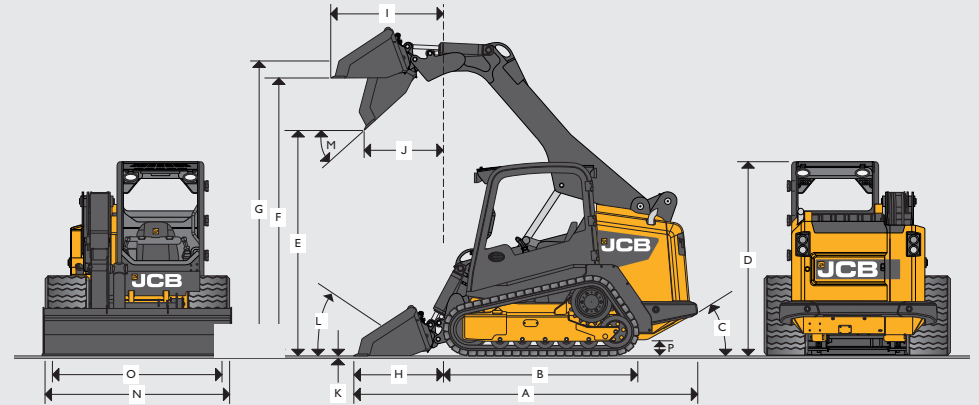
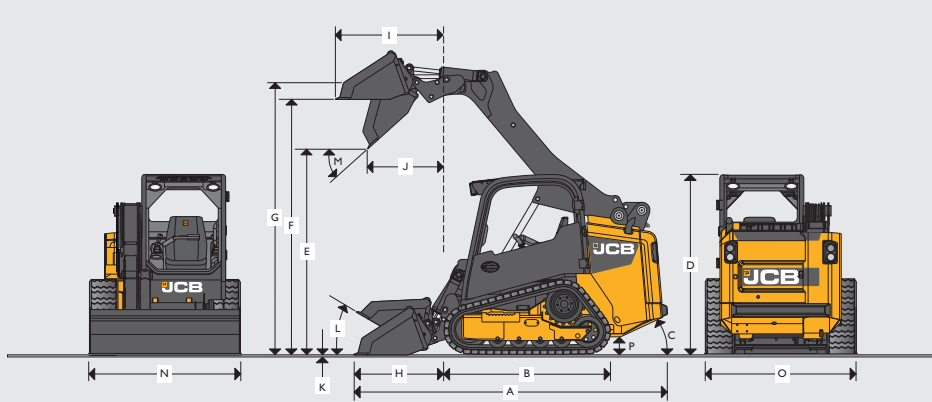
STATIC DIMENSIONS - SMALL PLATFORM WHEELED

Machine model		135	155	175	190	205	
A	Overall Length	ft-in (m)	11-5 (3.49)	11-5 (3.49)	11-7 (3.53)	11-8 (3.56)	11-10 (3.61)
B	Wheel Base	ft-in (m)	3-6 (1.07)	3-6 (1.07)	3-6 (1.07)	3-6 (1.07)	3-6 (1.07)
C	Angle of Departure	degrees	25°	25°	25°	25°	25°
D	Overall Height	ft-in (m)	6-6 (1.98)	6-6 (1.98)	6-6 (1.98)	6-6 (1.98)	6-6 (1.98)
E	Dump Height	ft-in (m)	7-5 (2.26)	7-5 (2.26)	7-5 (2.26)	7-5 (2.26)	7-5 (2.26)
F	Loadover Height	ft-in (m)	9-4 (2.84)	9-4 (2.84)	9-4 (2.84)	9-4 (2.84)	9-4 (2.84)
G	Height to Hinge Pin Fully Raised	ft-in (m)	9-10 (3.00)	9-10 (3.00)	9-10 (3.00)	9-10 (3.00)	9-10 (3.00)
H	Reach @ Ground Level (cutting edge)	ft-in (m)	3-3 (1.00)	3-3 (1.00)	3-3 (1.00)	3-3 (1.00)	3-3 (1.00)
I	Max Reach @ Full Height	ft-in (m)	3-0 (.91)	3-0 (.91)	3-2 (.97)	3-3 (.99)	3-5 (1.04)
J	Reach @ Full Height - Fully Dumped	ft-in (m)	1-10 (.56)	1-10 (.56)	2-9 (.86)	2-9 (.86)	2-9 (.86)
K	Dig Depth (toe plate horizontal) Clearance	in (mm)	-0.4 (-10)	-0.4 (-10)	-0.4 (-10)	-0.4 (-10)	-0.4 (-10)
L	Rollback @ Ground	degrees	30°	30°	30°	30°	30°
M	Dump Angle	degrees	42°	42°	42°	42°	42°
N	Bucket Width - Standard	ft-in (m)	5-0 (1.52)	5-6 (1.68)	5-6 (1.68)	5-8 (1.73)	6-0 (1.83)
	Bucket Width - Optional	ft-in (m)	4-6 (1.37)	5-0 (1.52)	5-8 (1.73)	6-0 (1.83)	5-8 (1.68)
O	Width Over Tires - Standard	ft-in (m)	4-11 (1.52)	5-3 (1.60)	5-3 (1.60)	5-3 (1.60)	5-3 (1.60)
	Width Over Tires - Optional	ft-in (m)	4-5 (1.37)	5-0 (1.52)	5-0 (1.52)	5-0 (1.52)	5-0 (1.52)
	Rated Operating Capacity	lb SAE (kg)	1350 (612.3)	1550 (703.1)	1750 (793.8)	1900 (861.8)	2050 (929.9)
	Bucket Capacity - Standard	yd³ (m³)	.47 (.36)	.52 (.40)	.52 (.40)	.53 (.41)	.57 (.44)
Turning Radius							
	Bucket Corner Radius	ft-in (m)	6-10 (2.09)	6-10 (2.09)	6-10 (2.09)	6-10 (2.09)	6-10 (2.09)
	Quick Hitch Radius	ft-in (m)	3-7 (1.10)	3-7 (1.10)	3-9 (1.14)	3-9 (1.14)	3-9 (1.14)
	Rear Chassis Radius	ft-in (m)	5-5 (1.65)	5-5 (1.65)	5-5 (1.65)	5-5 (1.65)	5-5 (1.65)
P	Ground Clearance	in (mm)	8.3 (210)	8.3 (210)	8.3 (210)	8.3 (210)	8.3 (210)
Lift Path							
			Radial	Radial	Vertical	Vertical	Vertical



STATIC DIMENSIONS - LARGE PLATFORM WHEELED

Machine model		225	260	280	300	330	
A	Overall Length	ft-in (m)	12-2 (3.69)	12-2 (3.69)	12-4 (3.76)	12-5 (3.78)	12-7 (3.80)
B	Wheel Base	ft-in (m)	4-0 (1.22)	4-0 (1.22)	4-0 (1.22)	4-0 (1.22)	4-0 (1.22)
C	Angle of Departure	degrees	28.7°	28.7°	28.7°	28.7°	29.1°
D	Overall Height	ft-in (m)	6-10 (2.09)	6-10 (2.09)	6-10 (2.09)	6-10 (2.09)	6-11 (2.11)
E	Dump Height	ft-in (m)	8-1 (2.46)	8-1 (2.46)	8-1 (2.46)	8-1 (2.46)	8-2 (2.49)
F	Loadover Height	ft-in (m)	9-10 (3.02)	9-10 (3.02)	9-10 (3.02)	9-10 (3.02)	10 (3.05)
G	Height to Hinge Pin Fully Raised	ft-in (m)	10-5 (3.175)	10-5 (3.175)	10-5 (3.175)	10-5 (3.175)	10-6 (3.2)
H	Reach @ Ground Level	ft-in (m)	3-2.5 (0.98)	3-2.5 (0.98)	3-2.5 (0.98)	3-5 (1.04)	3-5 (1.04)
I	Max Reach @ Full Height	ft-in (m)	3-2 (.96)	4-0.5 (1.23)	4-0.5 (1.23)	4-0.5 (1.23)	3-11 (1.2)
J	Reach @ Full Height - Fully Dumped	ft-in (m)	1-11 (.59)	2-10 (0.87)	2-10 (0.87)	2-11 (0.90)	2-11 (0.90)
K	Dig Depth (toe plate horizontal) Clearance	in (mm)	-3/8 (-10)	-3/8 (-10)	-3/8 (-10)	-3/8 (-10)	0
L	Rollback @ Ground	degrees	30°	30°	30°	30°	29°
M	Dump Angle	degrees	42°	42°	42°	42°	42°
N	Bucket Width - Standard	ft-in (m)	6-0 (1.82)	6-0 (1.82)	6-0 (1.82)	6-0 (1.82)	6-6 (1.98)
O	Width Over Tires - Standard	ft-in (m)	6-0 (1.82)	6-0 (1.82)	6-0 (1.82)	6-0 (1.82)	6-2 (1.87)
	Width Over Tires - Optional	ft-in (m)	6-2 (1.87)	6-2 (1.87)	6-2 (1.87)	6-2 (1.87)	6-0 (1.82)
	Rated Operating Capacity 50%	ft-in (m)	2250 (1021)	2600 (1179)	2800 (1270)	3000 (1361)	3295 (1495)
	Bucket Capacity - Standard	lb SAE (kg)	.62 (.47)	.62 (.47)	.62 (.47)	.67 (.51)	.67 (.51)
	Bucket Capacity - Standard	yd³ (m³)	.47 (.36)	.52 (.40)	.52 (.40)	.53 (.41)	.57 (.44)
Turning Radius							
	Bucket Corner Radius	ft-in (m)	7-3 (2.20)	7-3 (2.20)	7-3 (2.20)	7-3 (2.20)	7-3 (2.20)
	Quick Hitch Radius	ft-in (m)	4-10.5 (1.48)	4-10.5 (1.48)	4-10.5 (1.48)	4-10.5 (1.48)	4-10.5 (1.48)
	Rear Chassis Radius	ft-in (m)	5-9.5 (1.76)	5-9.5 (1.76)	5-9.5 (1.76)	5-9.5 (1.76)	5-9.5 (1.76)
P	Ground Clearance	in (mm)	9.4 (238)	9.4 (238)	9.4 (238)	9.4 (238)	9.8 (248)
Lift Path							
			Radial	Vertical	Vertical	Vertical	Vertical



STATIC DIMENSIONS - SMALL PLATFORM TRACKED

Machine model		150T	190T	205T
A Overall Length	ft-in (m)	11-5 (3.49)	11-7 (3.53)	11-9 (3.58)
B Track Base	ft-in (m)	5-10 (1.78)	5-10 (1.78)	5-10 (1.78)
C Angle of Departure	degrees	27°	27°	27°
D Overall Height	ft-in (m)	6-7 (2.00)	6-7 (2.00)	6-7 (2.00)
E Dump Height	ft-in (m)	7-6 (2.29)	7-6 (2.29)	7-6 (2.29)
F Loadover Height	ft-in (m)	9-4 (2.85)	9-4 (2.85)	9-4 (2.85)
G Height to Hinge Pin Fully Raised	ft-in (m)	9-11 (3.02)	9-11 (3.02)	9-11 (3.02)
H Reach @ Ground Level	ft-in (m)	3-7 (1.09)	3-3 (1.00)	3-3 (1.00)
I Max Reach @ Full Height	ft-in (m)	3-3 (0.99)	4-0 (1.21)	4-0 (1.21)
J Reach @ Full Height - Fully Dumped	ft-in (m)	2-1 (0.64)	2-9 (0.85)	2-9 (0.85)
K Dig Depth Clearance	in (mm)	-0.4 (-10)	-0.4 (-10)	-0.4 (-10)
L Rollback @ Ground	degrees	30°	30°	30°
M Dump Angle	degrees	42°	42°	42°
N Bucket Width - Standard	ft-in (m)	5-8 (1.73)	5-8 (1.73)	6-0 (1.83)
Bucket Width - Optional	ft-in (m)	5-6 (1.68)	6-0 (1.83)	5-8 (1.73)
O Width Over Tracks - Standard	ft-in (m)	5-5 (1.65)	5-5 (1.65)	5-5 (1.65)
Width Over Tracks - Optional	ft-in (m)	5-5 (1.65)	5-5 (1.65)	5-5 (1.65)
Rated Operating Capacity	lb SAE (kg)	1500 (680.4)	1900 (861.8)	2050 (929.9)
Bucket Capacity - Standard	yd³ (m³)	.53 (.41)	.53 (.41)	.57 (.44)
Turning Radius				
Bucket Corner Radius	ft-in (m)	6-10 (2.09)	6-10 (2.09)	6-10 (2.09)
Quick Hitch Radius	ft-in (m)	3-9 (1.10)	3-9 (1.14)	3-9 (1.14)
Rear Chassis Radius	ft-in (m)	5-5 (1.65)	5-5 (1.65)	5-5 (1.65)
P Ground Clearance	in (mm)	9.1 (230)	9.1 (230)	9.1 (230)
Ground Bearing Pressure*	psi (Kp)	6.75 (46.6)	6.20 (42.6)	6.50 (44.5)
Lift Path		Radial	Vertical	Vertical

STATIC DIMENSIONS - LARGE PLATFORM TRACKED

Machine model		225T	260T	300T	320T
A Overall Length	ft-in (m)	12-2 (3.69)	12-2 (3.69)	12-5 (3.78)	12-5 (3.78)
B Track Base	ft-in (m)	6-11 (2.1)	6-11 (2.1)	6-11 (2.1)	6-11 (2.1)
C Angle of Departure	degrees	28.7°	28.7°	28.7°	28.7°
D Overall Height	ft-in (m)	6-10 (2.08)	6-10 (2.08)	6-10 (2.08)	6-10 (2.08)
E Dump Height	ft-in (m)	7-11 (2.42)	7-11 (2.42)	7-10 (2.39)	7-10 (2.39)
F Loadover Height	ft-in (m)	9-10 (2.99)	9-10 (2.99)	9-10 (2.99)	9-10 (2.99)
G Height to Hinge Pin Fully Raised	ft-in (m)	10-5 (3.18)	10-5 (3.18)	10-5 (3.18)	10-5 (3.18)
H Reach @ Ground Level	ft-in (m)	3-2 (0.96)	3-2 (0.96)	3-5 (1.04)	3-5 (1.04)
I Max Reach @ Full Height	ft-in (m)	3-1 (.935)	4 (1.21)	4.3 (1.30)	4.3 (1.30)
J Reach @ Full Height - Fully Dumped	ft-in (m)	1-11 (.585)	2-10.5 (0.87)	2-11 (0.90)	2-11 (0.90)
K Dig Depth Clearance	in (mm)	-3/8 (-10)	-3/8 (-10)	-3/8 (-10)	-3/8 (-10)
L Rollback @ Ground	degrees	30°	30°	30°	30°
M Dump Angle	degrees	42°	42°	42°	42°
N Bucket Width - Standard	ft-in (m)	6-6 (1.98)	6-6 (1.98)	7-0 (2.13)	7-0 (2.13)
O Width Over Tracks - Standard	ft-in (m)	6-1 (1.85)	6-6 (1.98)	6-6 (1.98)	6-6 (1.98)
Rated Operating Capacity 35%	lb (kg)	2250 (1021)	2600 (1179)	3000 (1361)	3200 (1452)
Rated Operating Capacity 50%	lb (kg)	3214 (1458)	3994 (1812)	4314 (1957)	4573 (2074)
Bucket Capacity - Standard	yd³ (m³)	.79 (.59)	.79 (.59)	.84 (.64)	.84 (.64)
Bucket Capacity - Standard	yd³ (m³)	.52 (.40)	.52 (.40)	.53 (.41)	.57 (.44)
Turning Radius					
Bucket Corner Radius	ft-in (m)	7-4.5 (2.24)	7-4.5 (2.24)	7-4.5 (2.24)	7-4.5 (2.24)
Quick Hitch Radius	ft-in (m)	4-10.5 (1.48)	4-10.5 (1.48)	4-10.5 (1.48)	4-10.5 (1.48)
Rear Chassis Radius	ft-in (m)	5.95 (1.76)	5.95 (1.76)	5.95 (1.76)	5.95 (1.76)
P Ground Clearance	in (mm)	9.8 (248)	9.8 (248)	9.8 (248)	9.8 (248)
Ground Bearing Pressure*	psi (Kp)	4.36 (30.1)	4.6 (31.7)	4.8 (33.1)	4.9 (33.8)
Lift Path		Radial	Vertical	Vertical	Vertical

SPECIFICATION

SKID STEER AND COMPACT TRACK LOADER

HYDRAULIC PERFORMANCE - SMALL PLATFORM

Machine model	R.O.C lb (kg)	Tipping Load lb (kg)	Loader Lift lb (kg)	Bucket Tilt lb (kg)
135	1350 (612)	2989 (1356)	3175 (1440)	4012 (1820)
155	1550 (703)	3100 (1406)	3902 (1770)	4012 (1820)
175	1750 (794)	3500 (1587)	3461 (1570)	4718 (2140)
190	1900 (862)	3800 (1723)	3461 (1570)	4718 (2140)
205	2050 (930)	4100 (1859)	3461 (1570)	4718 (2140)
150T	1500 (680)	4334 (1966)	3902 (1770)	4012 (1820)
190T	1900 (862)	5429 (2462)	3461 (1570)	4718 (2140)
205T	2050 (930)	5857 (2656)	3461 (1570)	4718 (2140)

HYDRAULICS - SMALL PLATFORM

In addition to the main hydrostatic drive pumps, there is a dedicated loader and attachments supply pump (auxiliary hydraulics circuit standard on all base models). High flow is optional on all models except the 135.

Pump Flow: 18.5 gpm (70 lpm) @ 2800 rpm engine speed
 Main relief pressure 3335 psi (230 bar)
 HYD HP Low Flow (36.0)*
 HYD HP High Flow (51.4)* *calculated

- Low lever efforts give excellent and easy control of transmission loader and attachments.
- Auxiliary hydraulics are actuated via the right hand controller giving progressive control of oil flow for precise attachment control (left hand controller location on optional 7 way multi-function joysticks).
- Loader arm hydraulic lines under protective steel guard on PowerBoom.
- Canister style, full flow, hydraulic oil filter.
- JCB engine oil for engine and chain case.
- JCB hydraulic oil.
- The optional High Flow circuit provides 26.4 gal/min (100 liters/min) pump flow to the front of the machine for operation of high capacity attachments such as trenchers and cold planers.

CAPACITIES - SMALL PLATFORM

	gal (l)
Hydraulic System (including tank)	11.1 (42)
Fuel Tank	25.9 (98)
Engine Coolant	4.0 (15)
Engine Oil	2.6 (10)
LH Chaincase (wheeled machines only)	2.0 (7.6)
RH Chaincase (wheeled machines only)	2.0 (7.6)

HYDRAULIC PERFORMANCE - LARGE PLATFORM

Machine model	R.O.C lb (kg)	Tipping Load lb (kg)	Loader Lift lb (kg)	Bucket Tilt lb (kg)
225	2250 (1021)	4908 (2226)	5884 (2669)	5699 (2585)
260	2600 (1179)	5448 (2471)	5884 (2669)	5699 (2585)
280	2800 (1270)	5608 (2543)	5884 (2669)	5699 (2585)
300	3000 (1361)	6024 (2732)	5809 (2634)	7187 (3260)
330	3295 (1495)	6590 (2989)	5809 (2634)	7187 (3260)
225 T	2250 (1021)	6428 (2915)	5884 (2669)	5699 (2585)
260 T	2600 (1179)	7991 (3624)	5809 (2634)	7187 (3260)
300 T	3000 (1361)	8628 (3913)	5809 (2634)	7187 (3260)
320 T	3200 (1452)	9145 (4148)	5809 (2634)	7187 (3260)

HYDRAULICS - LARGE PLATFORM

In addition to the main hydrostatic drive pumps, there is a dedicated loader and attachments supply pump (auxiliary hydraulics circuit standard on all base models).

Pump Flow: 24 gpm (90 lpm) @ 2200 rpm engine speed
 Main relief pressure 3335 psi (230 bar)
 HYD HP Low Flow (46.7)*
 HYD HP High Flow (64.2)* *calculated

- Low lever efforts give excellent and easy control of transmission loader and attachments.
- Auxiliary hydraulics are actuated via the right hand controller giving progressive control of oil flow for precise attachment control.
- Loader arm hydraulic lines under protective steel guard on PowerBoom.
- Canister style, full flow, hydraulic oil filter.
- JCB engine oil for engine and chain case.
- JCB hydraulic oil.
- The optional High Flow circuit provides 33 gal/min (125 liters/min) pump flow to the front of the machine for operation of high capacity attachments such as trenchers and cold planers.

CAPACITIES - LARGE PLATFORM

	gal (l)
Hydraulic System (including tank)	15.9 (60)
Fuel Tank	27.2 (103)
Engine Coolant	4.1 (15.5)
Engine Oil	3.7 (14)
LH Chaincase (wheeled machines only)	3.1 (11.7)
RH Chaincase (wheeled machines only)	3.1 (11.7)

ENGINE - SMALL PLATFORM

		135	155/175/150T	190/205/190T/205T
Model		Kohler KDI 1903 TCR	Kohler KDI 1903 TCR	Kohler KDI 2504 TCR
Displacement	in3 (cm3)	113.5 (1,860)	113.5 (1,860)	151.4 (2,481)
Fuel		Diesel	Diesel	Diesel
Cooling		Liquid	Liquid	Liquid
Aspiration		Turbo	Turbo	Turbo
Gross Power @ 2800 rpm				
SAE J1995	hp (kW)	48 (36)	56 (42)	62 (46)
Gross Torque @ 1200 rpm				
SAE J1995	lb/ft (Nm)	165.9 (225)	165.9 (225)	221.2 (300)
Starter Motor	hp (kW)	2.72 (2)	2.72 (2)	2.72 (2)
Battery	V/Ah	12/109	12/109	12/109
Alternator	amps	80	100	100
Emission Certification		EPA-T4F (EU St3B)	EPA-T4F(EU St3B)	EPA-T4F(EU St3B)
Engine Oil Service Interval Hours		500	500	500
Variable Speed Hydraulically Driven Fan		YES	YES	YES

TRANSMISSION - SMALL PLATFORM

A full servo controlled hydrostatic transmission giving zero to maximum speed, both forward and reverse at full power. Independent transmission systems for both the left and right side, controlled through servo controls for both precise and easy operation. Transmission power system maintains full engine power availability maximizing loader and attachment control.

Model	Single Speed	Two Speed
	mph (km/h)	mph (km/h) / mph (km/h)
Travel Speeds 135:	7.5 (12.0)	N/A
Travel Speeds 155/175/190/205:	7.5 (12.0)	5.6 (9.0) / 11.5 (18.5)
Travel Speeds 150T/190T/205T:	6.2 (10.0)	5.6 (9.0) / 7.8 (12.6)

TIRES / TRACKS - SMALL PLATFORM

TIRES

Standard – 135/155 10 x 16.5 - 8 PR Standard Track Flotation

Standard – 175/190/205 10 x 16.5 x 8 PR Wide Track Flotation

Available Options – Standard Track - Wide Track
 Lifemaster Industrial Pneumatic
 31.5 / 13 x 16.5 Extra Flotation
 Brawler
 Solid Industrial

Flotation tires are fitted for most applications.

*For arduous conditions and hostile environments solid tires are recommended.

TRACKS

All Track Models
 12.6 in (320 mm) traction lug

ENGINE - LARGE PLATFORM

		225/260/280/225T/260T/300/330/300T/320T
Model		EcoMAX TCAE-55
Displacement in3 (cm3)		268 (4399)
Fuel		Diesel
Cooling		Water
Aspiration		Turbo
Gross Power @ 2400 rpm		
SAE J1995	hp (kW)	74 (55)
Gross Torque @ 1200 rpm		
SAE J1995	lb/ft (Nm)	295 (400)
Starter Motor	hp (kW)	5.63 (4.2)
Battery	V/Ah	12 / 109
Alternator	amps	95
Emission Certification		EPA-T4F (EU St3B)
Engine Oil Service Interval Hours		500
Variable Speed Hydraulically Driven Fan		YES

TRANSMISSION - LARGE PLATFORM

A full servo controlled hydrostatic transmission giving zero to maximum speed, both forward and reverse at full power. Independent transmission systems for both the left and right side, controlled through servo controls for both precise and easy operation. Transmission power system maintains full engine power availability maximizing loader and attachment control.

Model	Single Speed	Two Speed
	mph (km/h)	mph (km/h) / mph (km/h)
Travel Speeds 225/260/280/300:	6.8 (10.9)	6.8 (10.9) / 12.4 (20)
Travel Speeds 330:	7.3 (11.7)	7.3 (11.7) / 13.5 (21.7)
Travel Speeds 225T/260T/300T/320T:	5.7 (9.2)	4.8 (7.7) / 7.8 (12.6)

TIRES / TRACKS - LARGE PLATFORM

TIRES

Standard – 225/260/280/300 12 x 16.5 - 10 PR

Standard – 330 14 x 17.5 x 10 PR

Available Options – Standard Track - Wide Track
 Lifemaster Industrial Pneumatic
 33 / 15.5 x 16.5 Extra Flotation
 Brawler
 Solid Industrial

Flotation tires are fitted for most applications.

*For arduous conditions and hostile environments solid tires are recommended.

TRACKS

225T/260T
 12.6 in (320 mm) traction lug
 17.7 in (450 mm) traction lug

300T/320T
 17.7 in (450 mm) traction lug

SPECIFICATION

SKID STEER AND COMPACT TRACK LOADER

WEIGHT - SMALL PLATFORM

SAE Operating Weight

Fully operational with quickhitch, standard shovel, full fuel tank, open canopy + 165 lb (75 kg) operator:

135	6153 lb (2791 kg)	190	7054 lb (3200 kg)	150T	8137 lb (3691 kg)
155	6355 lb (2883 kg)	205	7297 lb (3310 kg)	190T	8355 lb (3790 kg)
175	6724 lb (3050 kg)			205T	8734 lb (3962 kg)

LIGHTING AND ELECTRICS- SMALL PLATFORM

12 V, negative ground system

1,000 cold cranking amp (CCA) battery

135 80 amp alternator Cab mounted instrument panel with ignition, fuel gauge, hour meter, and electronic throttle
155 and Above 100 amp alternator

Also incorporated into the instrument panel, is a warning light cluster which also has audible alarms for:

Low charge pressure	Blocked air filter
Engine water temperature	Engine oil pressure
Hydraulic oil pressure	Alternator

Cab mounted fuse and relay box designed to keep dirt and water out;
IP 69 external connections; standard battery isolator.

STANDARD EQUIPMENT - ALL MODELS

Isolation mounted canopy. ROPS and FOPS. Full audible and visual warning systems. Restraint activated safety system. Loader arm safety strut. Centrifugal dry type engine air filter with safety element. Mechanical quickhitch. Electronic hand throttle. Two front and one rear worklight. Emergency lower valve. Fuel gauge. Hydraulic park brake. Standard Flow auxiliary hydraulics. Three way joysticks. Rear service access door. Tilting cab. Static seat in wheeled. Mechanical suspension in tracked. Float. Pod storage area. Cup holder. Power socket. Rear view mirror. Interior light. Battery isolator.

OPERATOR ENVIRONMENT - ALL MODELS

Full ROPS and Level 1 FOPS with optional Level 2 FOPS guard for demolition, full audio and visual warning system. Soundproofing gives noise levels complying with EC regulations. Cab access through side door due to JCB's PowerBoom design.

- Deluxe environment available in either open canopy, cab with heat, or cab with heat and A/C (155 and Above)
- Unequaled all-around visibility.
- Retractable seat belt fitted as standard.
- Drainage cover for easy drainage of cab.
- Full servo control with either standard (3 way) joysticks or optional JCB multi-function (7-way) joysticks.

WEIGHT - LARGE PLATFORM

SAE Operating Weight

Fully operational with quickhitch, standard shovel, full fuel tank, open canopy + 165 lb (75 kg) operator:

225	7954 lb (3608 kg)	300	9054 lb (4107 kg)	225T	10,216 lb (4634 kg)
260	8232 lb (3734 kg)	330	9354 lb (4243 kg)	260T	10,756 lb (4879 kg)
280	8368 lb (3796 kg)			300T	11,287 lb (5120 kg)
				320T	11,596 lb (5260 kg)

LIGHTING AND ELECTRICS - SMALL PLATFORM

12 V, negative ground system

1,000 cold cranking amp (CCA) battery

95 amp alternator

Cab mounted instrument panel with ignition, fuel gauge, hour meter, and electronic throttle

Also incorporated into the instrument panel, is a warning light cluster which also has audible alarms for:

Low charge pressure	Blocked air filter
Engine water temperature	Engine oil pressure
Hydraulic oil pressure	Alternator

Cab mounted fuse and relay box designed to keep dirt and water out;
IP 69 external connections; standard battery isolator.

OPTIONAL EQUIPMENT - ALL MODELS

Sealed and pressurized cab with heater/defroster. Air conditioning (155 and above). Mechanical and air suspension seats. Road lights. Beacon. Foot throttle. Fire extinguisher. Toolkit. Self leveling. Level 2 FOPS guard. Heavy-duty rear door guard. Front screen guard. High Flow auxiliary hydraulics (155 and above). Spark arrestor. Tooth guard. Powered quickhitch. Smooth Ride System (155 and above). Lexan screen. Radio. Twine cutter (wheeled units only). Three inch seat belt. Creep speed. ISO/H pattern changeover. Fenders. Reversing fan. Pre-cleaner.

CONTROLS - ALL MODELS

JCB servo control (ISO) pattern, provides all drive functions on left and loader function on right joystick. The left hand control pod pivots rearwards, providing unparalleled machine entry / exit.

ATTACHMENTS

Over 31 different families of attachments provides ultimate versatility. A brochure listing the full range of attachments is available.

VALUE ADDED

JCB'S WORLDWIDE CUSTOMER SUPPORT IS FIRST CLASS. WHATEVER YOU NEED AND WHEREVER YOU ARE, WE'LL BE AVAILABLE QUICKLY AND EFFICIENTLY TO HELP MAKE SURE YOUR MACHINERY IS PERFORMING TO ITS FULL POTENTIAL.

1 Our Technical Support Service provides instant access to factory expertise, day or night, while our Finance and Insurance teams are always on hand to provide fast, flexible, competitive quotes.



2 The global network of JCB Parts Center is another model of efficiency; with 15 regional bases, we can deliver around 95% of all parts anywhere in the world within 24 hours. Our genuine JCB parts are designed to work in perfect harmony with your machine for optimum performance and productivity.



3 JCB Assetcare offers comprehensive extended warranties and service agreements, as well as service-only or repair and maintenance contracts. Irrespective of what you opt for, our maintenance teams around the world charge competitive labor rates, and offer non-obligation quotations as well as fast, efficient insurance repair work.





ONE COMPANY, OVER 300 MACHINES.

Your nearest JCB Dealer

JCB North American - Headquarters

Savannah, 2000 Bamford Blvd., Savannah, Georgia, 31322 Tel: (912) 447-2000

Download the very latest information on this product range at www.jcb.com

JCB inc. All rights reserved. No part of this publication may be reproduced, stored in a retrieval system, or transmitted in any form or by any other means, electronic, mechanical, photocopying or otherwise, without prior permission from JCB inc. All references in this publication to operating weights, sizes, capacities and other performance measurements are provided for guidance only and may vary dependant upon the exact specification of machine. They should not therefore be relied upon in relation to suitability for a particular application. Guidance and advice should always be sought from your JCB Dealer. JCB reserves the right to change specifications without notice. Illustrations and specifications shown may include optional equipment and accessories. The JCB logo is a registered trademark of J C Bamford Excavators Ltd.

