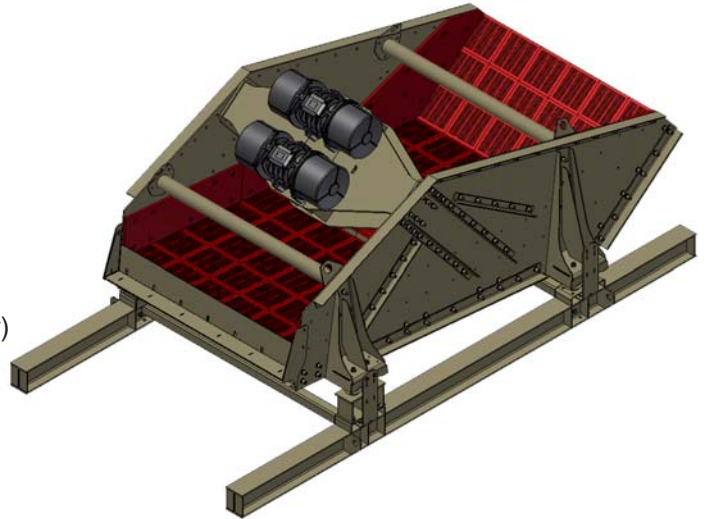


• SINGLE DECK LINEAR MOTION DEWATERING SCREENS:

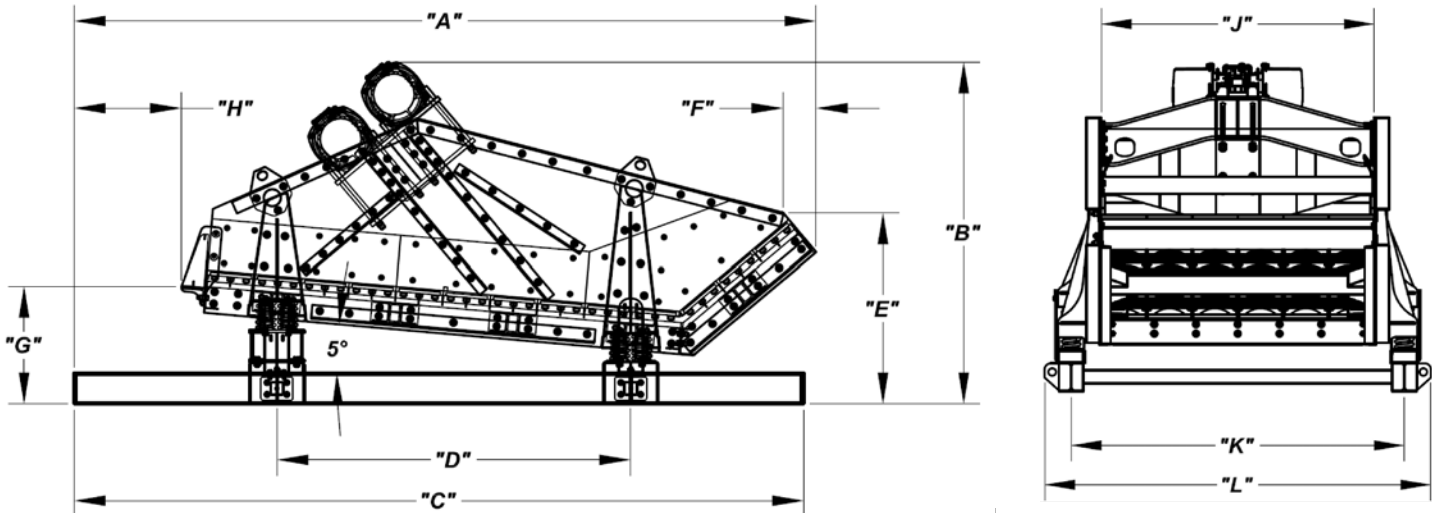
- Predominately bolted screen frame assembly
- Integral stiffener tubes with lifting lugs
- Steel coil springs
- Adjustable incline (0° to 5°) (standard is 5° incline unless otherwise specified at the time of order)
- Sloped feed section
- Adjustable discharge dam
- Bolt-in UHMW pan side liners
- Highly abrasion resistant 1' square x 30 mm thick modular urethane screen media with slotted apertures (media opening size to be specified at the time of order)
- Stress relieved, fabricated motor bridge
- Engineered motor mounting studs
- Two (2) ____ HP, 3/60/230-460 vibrating motors (less starters and wiring)
- Adjustable stroke
- Horizontal main frame
- Paint – std. KPI beige



POWER REQUIREMENTS & APPROX. CAPACITIES

Model	HP	Capacity (STPH)	
		Feed Size (assumes a 2.67 S.G.)	
		Fine Sand (-#50 x +#325)	Coarse Sand (-#4 x +#150)
DWS 27	2 @ 2.7	13	43
DWS 38	2 @ 3.9	20	65
DWS 410	2 @ 4.7	43	144
DWS 513	2 @ 8.4	65	216
DWS 613	2 @ 9.4	78	259
DWS 716	2 @ 15.4	106	353
DWS 816	2 @ 15.4	121	403

Capacities provided are estimates only. Consult factory for specific applications.



MODEL	APPROX. STATIC WEIGHT (lbs.)	NOMINAL DIMENSIONS										
		"A"	"B"	"C"	"D"	"E"	"F"	"G"	"H"	"J"	"K"	"L"
DWS 27	3,800	9'-4¼"	5'-2¼"	8'-1"	3'-11"	3'-1¾"	5¾"	2'-0½"	1'-9¾"	2'	3'-0¼"	4'-2¼"
DWS 38	4,810	10'-3"	5'-8½"	8'-11¾"	4'-10¾"	3'-4¼"	7"	2'-4¼"	1'-7½"	3'	4'-0¼"	5'-2¼"
DWS 410	6,400	11'-8½"	6'-1½"	11'-3"	5'-4"	4'	7"	2'-5½"	1'-3½"	4'	5'-3¾"	6'-5¾"
DWS 513	8,820	15'-8"	7'-2¾"	15'-5"	7'-5¾"	4'-0½"	8¼"	2'-5¾"	2'-3¼"	5'	6'-3¾"	7'-5¾"
DWS 613	9,310	15'-8"	7'-2¾"	15'-5"	7'-5¾"	4'-0½"	8¼"	2'-5¾"	2'-3¼"	6'	7'-3¾"	8'-5¾"
DWS 716	17,200	18'-6"	9'-6¼"	18'-4"	9'-11½"	4'-3¾"	8"	3'-2¾"	2'-0½"	7'	8'-3½"	9'-5½"
DWS 816	18,550	18'-6"	9'-6¼"	18'-4"	9'-11½"	4'-3¾"	8"	3'-2¾"	2'-0½"	8'	9'-3½"	10'-5½"

FOR MORE INFORMATION CALL 1-800-542-9311 AND ASK FOR A KOLBERG EQUIPMENT SPECIALIST

NOTE: Specifications are subject to change without notice.

Because KPI-JCI may use in its catalog & literature, field photographs of its products which may have been modified by the owners, products furnished by KPI-JCI may not necessarily be as illustrated therein. Also continuous design progress makes it necessary that specifications be subject to change without notice. All sales of the products of KPI-JCI are subject to the provisions of its standard warranty. KPI-JCI does not warrant or represent that its products meet any federal, state, or local statutes, codes, ordinances, rules, standards or other regulations, including OSHA and MSHA, covering safety, pollution, electrical wiring, etc. Compliance with these statutes and regulations is the responsibility of the user and will be dependent upon the area and the use to which the product is put by the user. In some photographs, guards may have been removed for illustrative purposes only. This equipment should not be operated without all guards attached in their normal position. Placement of guards and other safety equipment is often dependent upon the area and how the product is used. A safety study should be made by the user of the application, and, if required additional guards, warning signs and other safety devices should be installed by the user, wherever appropriate before operating the products.



700 W 21st. St., Yankton, SD 57078
1-800-542-9311 Fax: 605-665-8858

Email: mail@kpijci.com
www.kpijci.com

Mdl 9000 dewatering screen 08/14 Rev. 3