

Superior Auto Greaser

Temperature Compensating Electrochemical Lubrication System



Quick Specs

- ▶ Operating Temp: -4°F to 140°F
- ▶ Discharge Period: 1, 2, 3... to 12 months
- ▶ Dimensions: Approx. 2.5" x 5.5"

Frequently Asked Questions

What is the typical application?

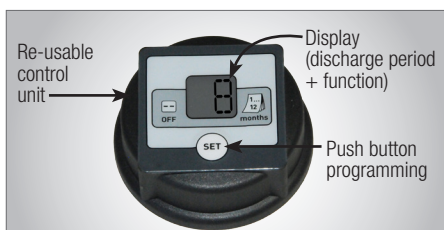
- ▶ Superior's Auto Greaser is especially suited to single-point lubrication of rolling element bearings, seals and chains located in areas with considerable temperature variations or where intrinsic safety is a requirement.

Is the unit reusable?

- ▶ It sure is! All of the components are available for order separately, including the lubricator cartridge, cap and dust cover.

Does the lubricator adjust to temperature?

- ▶ A temperature sensor regularly measures the ambient temperature and the control unit calculates the required gas generation based on this data.



Push Button Control

Digital Literature
Forward to Colleague



Superior Auto Greaser

Features and Benefits

Accurate Lubrication Solution

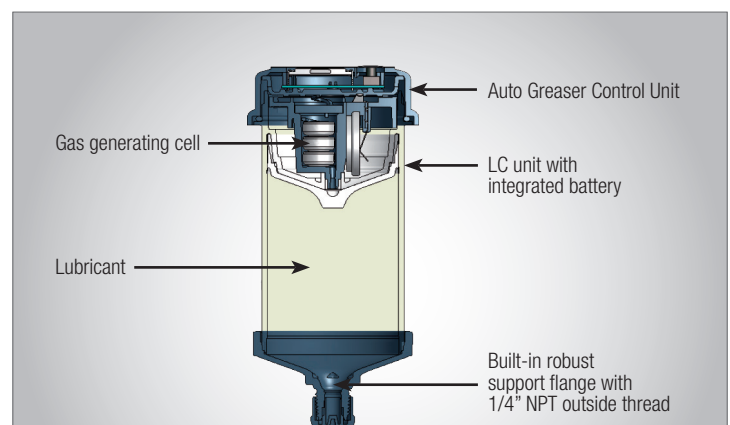
- ▶ Provides accurate lubricant delivery across a broad range of settings in extreme temperature environments
- ▶ Simple to set, install and maintain with a highly intuitive operating menu

Extends Equipment Service Life

- ▶ Lubricates equipment while it is running to provide optimal lubricant exchange
- ▶ Delivers gradual purge of fresh grease to labyrinth and taconite seals to prevent the ingress of contaminants

Safer Compared to Manual Greasing

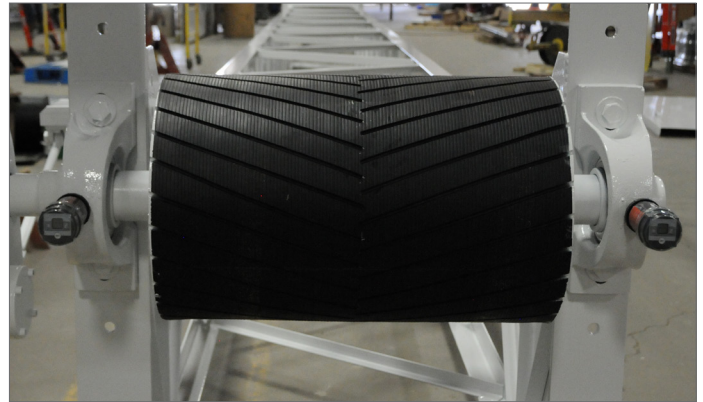
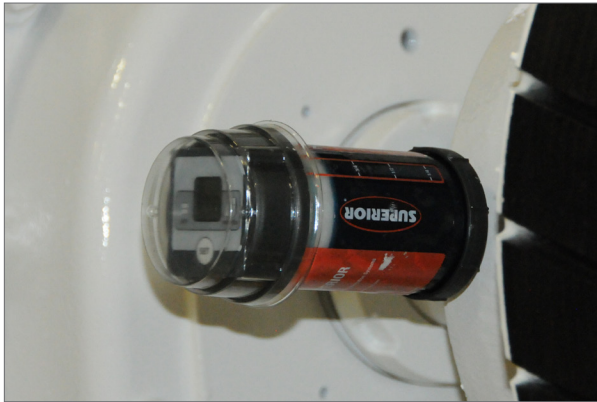
- ▶ Reduces work load by automating an otherwise manual process
- ▶ Continues to lubricate without the need for shutdown and isolation



Oil-filled units come with an integrated oil retaining valve and can be recognized by a red plug.

Dust and Water Proof

Auto Greasers in Application



Part Number Guide

Replacement Parts	
Part Number	Description
03-03003	Lube Cart. Kit, Cap, Dust Cover
03-03002	Lubricator Cartridge, Dust Cover
03-03001	Cap, Auto Lubricator
08-02768	Black Pipe Nipple (A)
08-02569	Black Tee-Pipe (B)
08-03314	Brass Pipe, BSH Hex-Reducer (C)



Optional fittings can be used to install multiple cartridges.

► 45° Elbow and 90° Tee available.