

BX50



KOMATSU[®]



The Forklift With Proven Ability.™

CUSHION & PNEUMATIC TIRE FORKLIFTS

4,000 – 6,500 LBS. CAPACITY | GAS, LPG & DIESEL



OUR FORKLIFTS ARE ENGINEERED TO RAISE THINGS. INCLUDING THE BAR.

BUILDING ON MORE THAN 80 YEARS OF EXPERIENCE, the Komatsu BX50 redefines the forklift once again. Featuring high performance, low maintenance, total operator comfort and outstanding reliability, its innovative engineering can handle your most demanding applications. The BX50 is available in cushion-tire models with capacities from 4,000 through 6,500 pounds, and with pneumatic tires from 4,000 through 6,500 pounds. Find out how superior design can deliver improved productivity — and raise your expectations of what a forklift can be. The Komatsu BX50.



MAKE YOUR JOB SITE A CLEANER, QUIETER WORKING ENVIRONMENT

THE NEW BX50 SERIES helps create a workplace that's easier to work and be productive in. Sound levels drop with the BX50 because the drive train generates high operating torque at low engine speeds.

Engine emissions in gasoline and LPG engines are managed by a new Engine Control Module (ECM) that produces exceptionally low emissions levels because it more accurately regulates air-fuel ratios for optimum combustion. The result: the BX50 beats even the tough Tier II regulations for gasoline and LPG engine exhaust emissions set by the U.S. Environmental Protection Agency (EPA).

FUEL ECONOMY IS BUILT INTO EVERY BX50

Multi-port fuel injection on gasoline engines, and single-port, throttle body injection on LPG engines are controlled by an Electronic Concentrated Control System (ECCS) and Sophisticated Optimized Fuel Injection System (SOFIS). These advanced controls boost fuel economy for both gasoline and LPG. An available dual-fuel system delivers optimum performance on either fuel, for extra job-site flexibility.

BX50 four-cylinder diesel models use four-stroke-cycle technology and direct injection to produce high performance with excellent fuel economy.

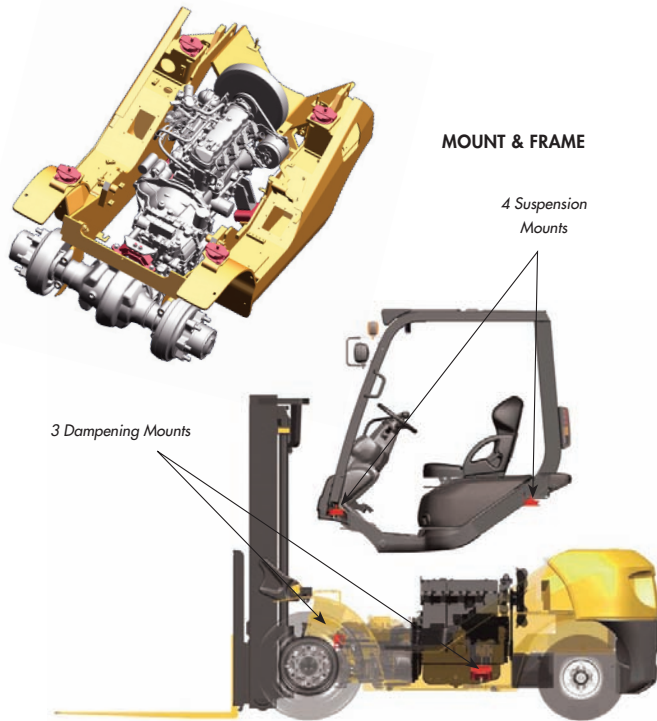
The BX50's fuel economy is further boosted by the EZlift™ hydraulic system, which uses a tandem pump to supply independent power for lifting and steering. The tandem pump eliminates the flow divider between the pump and control valve. EZlift hydraulics give you smooth lifting without revving up the engine, which reduces fuel consumption. It also keeps the engine from stalling when steering and lifting, produces less temperature buildup, and delivers better control in tight areas.



MODELS				
BX50 Series				
LPG Engine Forklifts				
Gasoline/LPG Dual Fuel Engine Forklifts				
Diesel Engine Forklifts				
Capacity, lbs.	4,000	5,000	6,000	6,500
Cushion Tire	●	●	●	●
Pneumatic Tire	●	●	●	●

KOMFORT ZONE™

CARES FOR YOUR OPERATORS



COMFORTABLE – AND RUGGED

At Komatsu Forklift, we know that operator comfort is critical to reducing fatigue and increasing productivity. We take pride in providing total operator comfort with the Komatsu Komfort Zone: a dual floating structure that protects operators through advanced ergonomic design. The Komfort Zone reduces the effects of engine vibration, noise and heat.

The Komfort Zone fights vibration in several ways. First, vibration-dampening mounts separate the engine and transmission from the forklift's frame. Next, additional suspension mounts isolate the operator compartment from the frame. Vibration transmitted from the differential is also reduced by an advanced drive train design.

Besides operator comfort, the BX50 also provides superior durability that shows the influence of Komatsu's construction division. The heavy-gauge steel frame, front axle and heavy front fender connect to deliver high strength – critical for high lifting heights and heavy loads. Operators will appreciate the BX50's reliable, day-after-day capability.



LOW-MAINTENANCE STEERING AND WIRING

The BX50 steer axle is controlled by a double-acting, double-ended cylinder that eliminates drag links and tie rods that wear and require maintenance. Added durability comes from high-capacity king-pin needle bearings with heavy-duty seals.

The BX50 dashboard wiring harness takes wet environments in stride. The engine wiring and steering control system all use the latest generation of waterproof connections for improved reliability.



EASY STEERING EVEN AT REST

Even when the BX50 is standing still, its Fully Hydrostatic Power Steering (FHPS) system allows easy steering. The FHPS system also reduces operator fatigue by eliminating kickback. Operator feel and control are improved by a small-diameter steering wheel, and an optional spinner knob allows easier one-handed steering.

EASY, INTUITIVE CONTROLS MAXIMIZE EFFICIENCY

Forklifts are constantly changing direction. The BX50's forward/reverse lever provides smooth, low-effort shifting. Automotive-style levers for headlights and turn signals work with simple, familiar actions. These easy, intuitive operating controls maximize efficiency, reduce fatigue and shorten learning time.

TALL OR SHORT, OPERATORS LIKE THE BX50

Tall, average, or short, your operators will find the BX50 comfortable. Start with extra headroom in the overhead guard. Then add foot room and floor space with dash-suspended pedals and tilt cylinders tucked out of the way under the floor. The BX50 accommodates operators of all sizes.

OPERATORS STAY COOL

Hot engine air doesn't bother operators when the BX50 travels in reverse. Angled exit ports for engine air and low-mounted exhaust vents direct air away from the operator compartment – and away from the floor. Operators stay cool, and less dust is stirred into the air.

« FULL INSTRUMENTATION

The BX50 console keeps the operator fully informed with displays including:

- » Neutral Indicator
- » Engine Oil Pressure Gauge
- » Low Battery/Alternator
- » Fuel Gauge
- » Hour Meter
- » KOPS (Komatsu Operator Presence System) Plus Hydraulic Lock Indicator
- » Check Engine Indicator (Gas & LPG Models)
- » Maintenance Error Code Display (Gas & LPG Models)
- » Sediment Warning Lamp (Diesel Models)
- » Glow Indicator (Diesel Models)
- » Engine Temperature Gauge

EZview®

With the excellent visibility window on the EZview mast, the BX50 operator has an unrestricted view of the fork tips and surroundings. Towards the front, the newly designed EZview mast and console, and a new, low-profile dash display give maximum visibility. To the rear, the upper corners of the counterweight are angled for clear sightlines in reverse.



EXPERTISE AND EXPERIENCE ARE BUILT IN



80 YEARS OF EXPERIENCE BRINGS YOU HIGH RELIABILITY

With the Komatsu BX50, we relied on our 80 years of experience to deliver exceptional performance and reliability. You can trust Komatsu's advanced engineering to deliver long life in tough applications.

- » Sophisticated air-flow design helps control the BX50's under-hood cooling. Fan-shroud contours increase engine-compartment air flow from a high-velocity, low-noise ten-blade fan. Air moves straight through the radiator and across the exhaust system. The radiator housing controls air movement to keep the hood cool and prevent hot air from circulating back into the engine compartment.
- » Engine overheating protection automatically limits BX50 engine speed if coolant temperature rises. A two-stage temperature sensing system will shut the engine down to protect it if coolant temperatures exceed safe operating limits.

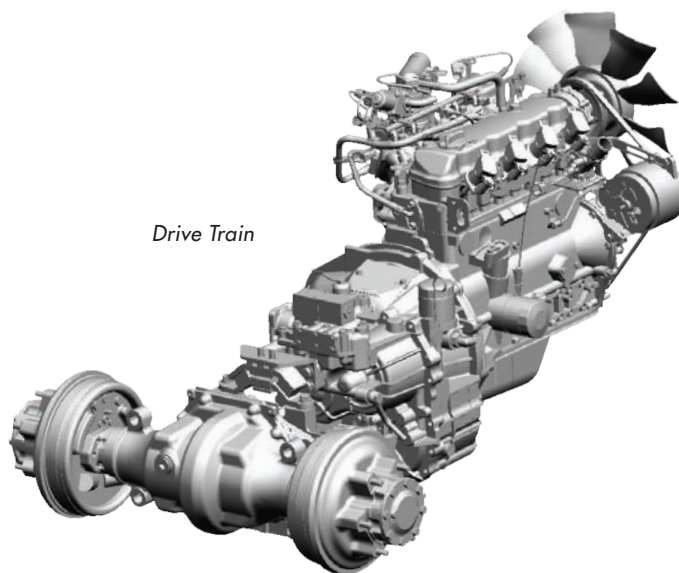
KOPS PLUS PROTECTS YOUR WORKPLACE

The BX50 features KOPS Plus to protect people and equipment if the operator leaves the seat. If the seat is vacant for more than three seconds, KOPS Plus automatically locks out all lift, lower, tilt and travel functions. The operator must return to the seat to unlock the system. A flashing yellow warning light alerts the operator when KOPS Plus is activated. In addition, the BX50 forks cannot be lowered with the key in the off position.

NEW DRIVE TRAIN HANDLES HIGH TORQUE

The high torque delivered by the BX50's powerful K21 and K25 engines is channeled through a new transmission designed and manufactured by Komatsu. This rugged new drive train features an aluminum alloy transmission case for improved heat dissipation, a high-capacity oil cooler or torque converter, and O-ring face seals to greatly reduce the possibility of leaks.

Komatsu's extensive experience with demanding construction machinery applications led to a highly reliable, highly dust-resistant, double-seal universal joint design in the full floating BX50 drive train.



Drive Train

SIMPLIFIED MAINTENANCE MEANS LOWER COST OF OWNERSHIP



SIMPLIFIED MAINTENANCE IMPROVES YOUR BOTTOM LINE

BX50 extended service intervals, simplified maintenance, and rapid service access can reduce downtime and operating costs. Expect reduced BX50 life-cycle costs to improve your bottom line.

RAPID ACCESS FOR DAILY CHECKS

The BX50 saves minutes with every daily check. Quickly check brake fluid by lifting a single cover by the steering wheel. Get rapid access to engine components with a durable, one-piece, light-weight, steel engine cover and a lift-out floorboard. The gas cylinder-assisted engine cover easily opens with a single latch, and a locking device holds the cover open.

EASY-MAINTENANCE BRAKES SELF-ADJUST

BX50 drum-and-shoe brakes are self-adjusting, reliable and easy to maintain. Brake linings are non-asbestos, for extended lining life and a healthier working environment. Extra thick brake drums improve heat resistance in severe duty applications.

DIAGNOSTIC SYSTEM SPEEDS TROUBLESHOOTING

Inspection and maintenance operations are simplified by a single, conveniently-located fuse box and wiring harness. Reliable operation in harsh environments is assured by waterproof connectors in critical areas. If trouble does occur, the BX50's on-board diagnostic system makes troubleshooting with a hand-held diagnostic tool quick and easy.

KOMATSU BX50

Whether your application calls for an agile and maneuverable cushion tire model for indoors, or the flexibility and power of a pneumatic model for outdoors, the BX50 series is sure to meet your needs.

The BX50's superior performance can increase productivity, minimize operator fatigue, reduce operating costs and improve the working environment. Boost your bottom line now – put a BX50 to work in your application today.



Building on our 80 year history of superior engineering, the BX50 delivers improved performance, unbeatable strength, greater reliability, and lower life-cycle costs while handling your most demanding applications.

BX50

CUSHION & PNEUMATIC TIRE FORKLIFTS

STRONG CUSTOMER SATISFACTION

Komatsu Forklift has a strong corporate commitment to produce, deliver and support quality products, and we have always made customer satisfaction our top priority. We will work to the best of our ability to help you maximize your operation's productivity while minimizing costs.

QUALITY PRODUCTS & SERVICES

Komatsu Forklift offers an expanding product line of over 120 electric and internal combustion engine forklift models with capacities from 2,000 to 35,000 pounds. We back them with a complete warranty program, superior service, and genuine OEM parts.

CONTACT YOUR DEALER TODAY

Your nearby Komatsu Forklift dealer is ready to assist you. Ask about financing and leasing programs that can be tailored to your business plan. Forklifts for your specific applications and workplace are waiting for you now.

KOMATSU DEALER NETWORK

Komatsu Forklift has over 195 dealer locations throughout the United States, Canada, Mexico, the Caribbean, and Central and South America. Komatsu dealers are staffed with dedicated teams of professionals who are trained to meet your forklift needs.

THE KOMATSU HERITAGE

As part of the Komatsu family, we have a proud heritage of excellence in equipment design and manufacturing. Since 1921 Komatsu has been a global leader in the construction and mining equipment industry. And since 1945, we have built upon that heritage by producing innovative, high-quality, durable forklifts to meet and exceed the needs of our customers.



KOM87-02

©2011 Komatsu America Corp.

Printed in USA

AD05(2.5M)OSP

5/11 (EV-1)

KOMATSU®

www.KomatsuAmerica.com

www.KomatsuForkliftUSA.com

Komatsu America Corp. is an authorized licensee of Komatsu Ltd. Materials and specifications are subject to change without notice.

Photos may include optional equipment.
KOMATSU is a registered trademark of Komatsu Ltd., Japan