



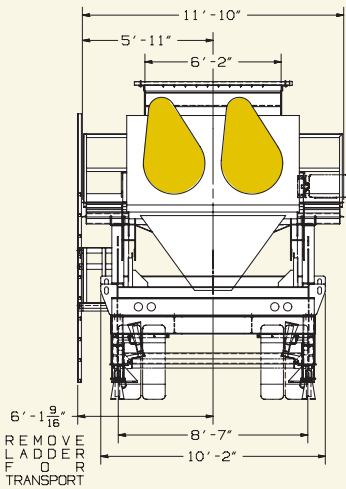
Terex® Minerals Processing Systems

Terex® Simplicity TXW616T | Portable Incline Screen with Twin Screw Wash Plant



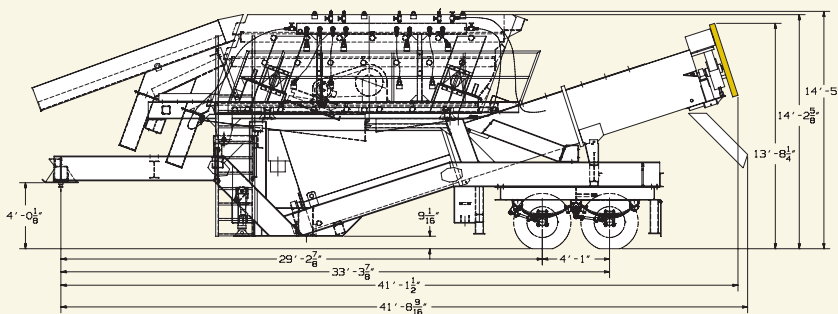
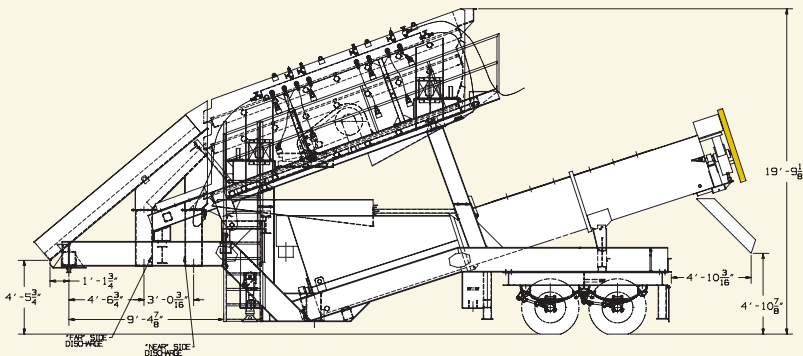
TXW616T

6' x 16' PORTABLE INCLINE SCREEN
WITH TWIN SCREW WASH PLANT

Terex® Simplicity TXW616T | 6' x 16' Portable Incline Screen with Twin Screw Wash Plant


TRAVEL WIDTH:	11'- 10"
TOTAL WEIGHT:	57,000 lbs.
KINGPIN WEIGHT:	20,000 lbs.
WEIGHT AT AXLES:	37,000 lbs.

- 6' x 16' Terex Simplicity Triple Deck Inclined Two-Bearing Screen.
- Chassis features heavy-duty I-beam construction, four cribbing support legs, and two manual landing jacks for easy truck removal. Chassis includes a double-axle suspension, eight 11:00 x 22.5 x 12 ply tires mounted on 10-hole Budd wheels, 5th wheel, air brakes on two axles, mud flaps, and tail lights.
- 1800 rpm TEFC electric motor for screen drive, accessible by ladder and walkway around three sides of the screen.
- The under-screen fines collection flume is made from 1/4" plate and has a splash-type spray system. Water spray systems on all screen decks, flume, and washout.
- 36" x 25' twin screw with dual 15HP drives.
- Manifold with the necessary hardware, valves, and hoses.
- Heavy-duty discharge chute made from 1/4" plate and lined with Hardox® abrasion resistant plate in heavy wear areas. The discharge chute includes a top deck-over chute with discharge to the front of the plant. The middle deck chute discharges to the side, and the bottom deck chute discharges to the opposite side.
- All standard guards provided.
NOTE: Terex Simplicity does not warrant that our guards will meet all local codes. It is the responsibility of the end user to have them checked by a local inspector.
- Painted in Terex white.
- NOTE: Dimensions and specifications are subject to change without



Effective Date: April, 2010. Product specifications and prices are subject to change without notice or obligation. The photographs and/or drawings in this brochure are for illustrative purposes only. Refer to the appropriate Operator's Manual for instructions on the proper use of this equipment. Failure to follow the appropriate Operator's Manual when using our equipment or to otherwise act irresponsibly may result in serious injury or death. The only warranty applicable to our equipment is the standard written warranty applicable to the particular product and sale and Terex makes no other warranty, express or implied. Products and services listed may be trademarks, service marks or trade-names of Terex Corporation and/or its subsidiaries in the USA and other countries and all rights are reserved. Terex is a registered trademark of Terex Corporation in the USA and many other countries. Copyright © 2010 Terex Corporation.