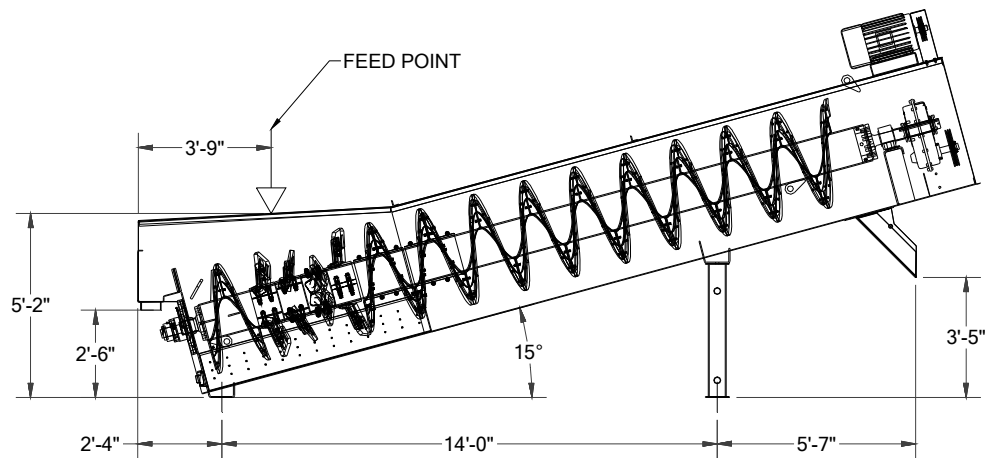
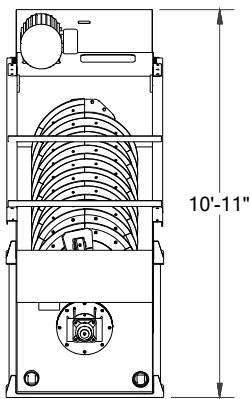
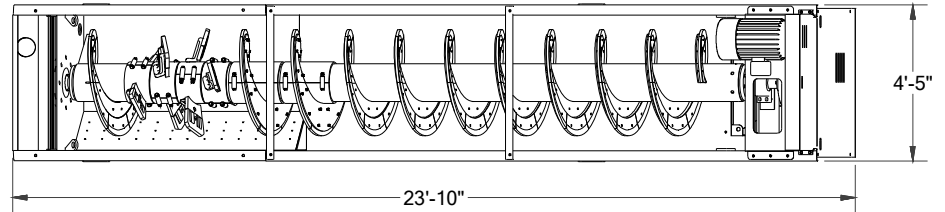


# SERIES 6000 COARSE MATERIAL WASHER

## Model 6036-19S Spec Sheet



### ● MAIN TANK

- 1/4" (sides & bottom) and 3/8" (rear end plate) welded plate steel construction
- Integral rising current manifold with 4" inlet
- Long narrow tub
- Full width overflow weir
- Overflow flume with 6" dia. outlet

### ● SPIRAL ASSEMBLY

- Spiral pipe - heavy wall 12" dia.
- Double pitch, combination flight/paddle configuration
- Standard configuration - Four (4) bolt-on paddle assemblies (two (2) replaceable two piece Ni-Hard paddle tips per assembly) and two (2) bolt-on flight assemblies; balance of the spiral assembly is welded solid flights with bolt-on AR steel inner and Ni-Hard outer wear shoes (see reverse side for additional information and optional configurations)
- Greaseable, externally mounted Dodge Imperial E tail end flange bearing
- Greaseable Dodge Type E pillow block head end bearing
- Lower end seal - chrome plated stainless steel wear sleeve, water tight bellows type rubber seal and secondary grease seal

### ● DRIVE ASSEMBLY

- High efficiency v-belt drive assembly
- 25-HP TEFC motor
- Dodge TA-II double reduction shaft mount reducer

### ● DISCHARGE CHUTE (optional)

- Tapered discharge chute set at 45° angle to grade

### ● SUPPORT ASSEMBLY (optional)

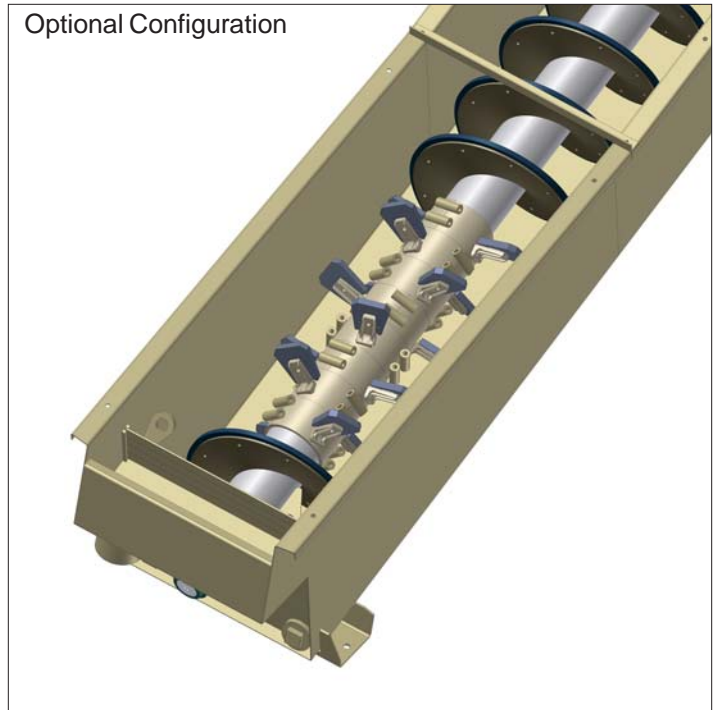
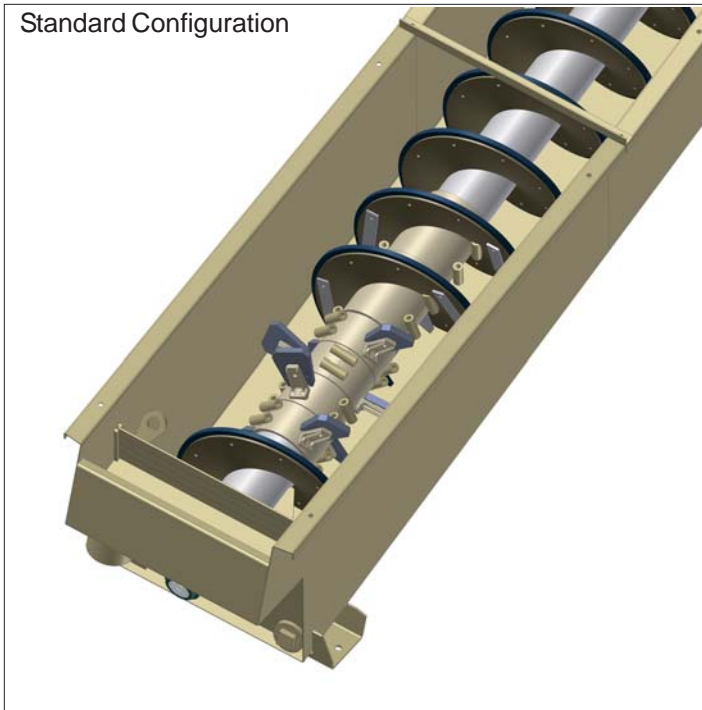
- Head-end support weldment with 6" wide flange columns

### ● PHYSICAL/OPERATING CHARACTERISTICS

- Feed Material Size - Typically minus 2-1/2" x +3/8"
- Angle of Operation - 15°
- Capacity - Up to 175 TPH
- Shaft Speed - 30 rpm
- Water Requirements - Up to 600 gpm
- Operational Dim. - 23'10" long x 4'5" wide x 10'11" high
- Loads - Approx. Dead Load = 10,400 lbs.  
Approx. Live Load = 19,000 lbs.  
Approx. Total Load = 29,400 lbs.

MODEL	CAPACITY (TPH)	SPIRAL SPEED (RPM)	MINIMUM MOTOR HP	WATER REQ'D (GPM @ 25 PSI)
<b>SINGLE SPIRAL CONFIGURATIONS:</b>				
6024-15S	60-75	40	15	300-400
<b>6036-19S</b>	<b>150-175</b>	<b>30</b>	<b>25</b>	<b>400-600</b>
6048-23S	200-250	22	40	500-700
<b>TWIN SPIRAL CONFIGURATIONS:</b>				
6036-19T	300-350	30	25	700-900
6048-23T	400-500	22	40	800-1000

NOTES: Two (2) motors required on twin units.  
24" dia. unit offered only in single spiral configuration.



**FOR MORE INFORMATION CALL 1-800-542-9311 AND ASK FOR A KOLBERG EQUIPMENT SPECIALIST**

**NOTE:** Specifications are subject to change without notice.

Because KPI-JCI may use in its catalog & literature, field photographs of its products which may have been modified by the owners, products furnished by KPI-JCI may not necessarily be as illustrated therein. Also continuous design progress makes it necessary that specifications be subject to change without notice. All sales of the products of KPI-JCI are subject to the provisions of its standard warranty. KPI-JCI does not warrant or represent that its products meet any federal, state, or local statutes, codes, ordinances, rules, standards or other regulations, including OSHA and MSHA, covering safety, pollution, electrical wiring, etc. Compliance with these statutes and regulations is the responsibility of the user and will be dependent upon the area and the use to which the product is put by the user. In some photographs, guards may have been removed for illustrative purposes only. This equipment should not be operated without all guards attached in their normal position. Placement of guards and other safety equipment is often dependent upon the area and how the product is used. A safety study should be made by the user of the application, and, if required additional guards, warning signs and other safety devices should be installed by the user, wherever appropriate before operating the products.



700 W 21st. St., Yankton, SD 57078  
1-800-542-9311 Fax: 605-665-8858

Email: mail@kpijci.com  
www.kpijci.com  
Mdl 6036-19S Rev. 3, 08/09