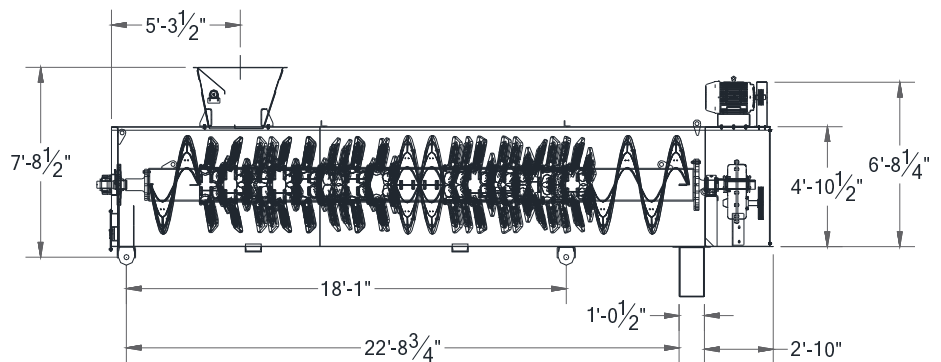
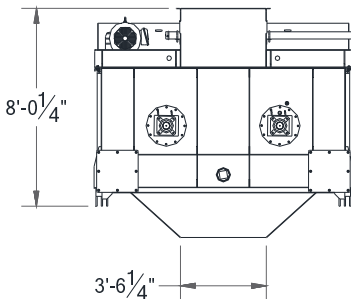
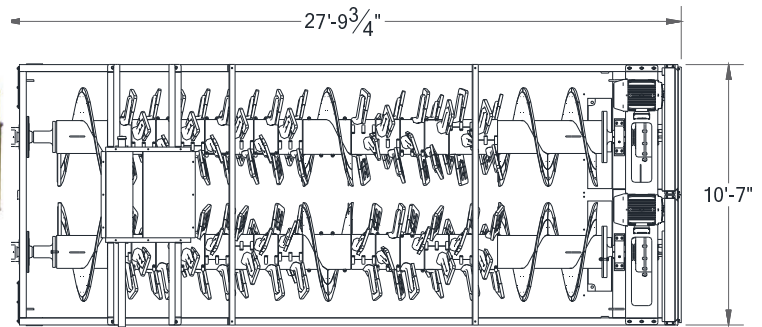


Series 6500 BLADEMILL Model 6548-23T Spec Sheet



● MAIN TANK

- 1/4" (sides & bottom) and 3/8" (rear end plate) welded plate steel construction
- 6" fresh water inlet in the tail end
- Long narrow tub
- "Pinned" mounting locations
- Two (2) 16" x 16" rear clean-out ports in the tail end

● SPIRAL ASSEMBLY

- Spiral pipe - heavy wall 16" dia.
- Double pitch, combination flight/paddle configuration with cast ni-hard outer wear shoes, AR steel inner wear shoes and two-piece cast ni-hard paddle tips (one right hand & one left hand)
- Standard configuration - One (1) weld-on flight at the tail end, four (4) sets of bolt-on paddles (each set equivalent to (1) 360° flight), one (1) bolt-on flight, three (3) sets of bolt-on paddles (each set equivalent to (1) 360° flight) and two (2) weld-on flights at the head end
- Greaseable, externally mounted Dodge Imperial E tail end flange bearing
- Greaseable Dodge pillow block head end bearing
- Lower end seal - chrome plated stainless steel wear sleeve, water tight bellows type rubber seal and secondary grease seal

● DRIVE ASSEMBLY (one drive assembly per spiral)

- High efficiency v-belt drive assembly
- 40-HP TEFC motor
- Dodge TA-II double reduction shaft mount reducer

● DISCHARGE CHUTE

- Tapered steel discharge chute

● FEED BOX (optional)

- 42" square feed opening with 3" header pipe

● PHYSICAL/OPERATING CHARACTERISTICS

- Feed Material Size - Typically minus 2-1/2" x 0
- Angle of Operation - 0°-4°
- Capacity - Up to 500 STPH
- Shaft Speed - 22 rpm
- Water Requirements - Up to 400 gpm
- Operational Dim. - 27'10" long x 10'7" wide x 6'8" high
- Loads - Approx. Dead Load = 31,100 lbs.
Approx. Live Load = 57,600 lbs.
Approx. Total Load = 88,700 lbs

MODEL	CAPACITY (TPH)	SPIRAL SPEED (RPM)	MINIMUM MOTOR HP	WATER REQ'D (GPM @ 25 PSI)
SINGLE SPIRAL CONFIGURATIONS:				
6524-15S	60-75	40	15	75-150
6536-19S	150-175	30	25	100-200
6548-23S	200-250	22	40	125-250
TWIN SPIRAL CONFIGURATIONS:				
6536-19T	300-350	30	25	175-350
6548-23T	400-500	22	40	200-400

NOTES: Two (2) motors required on twin units.
24" dia. unit offered only in single spiral configuration.

FOR MORE INFORMATION CALL 1-800-542-9311 AND ASK FOR A KOLBERG EQUIPMENT SPECIALIST

NOTE: Specifications are subject to change without notice.

Because KPI-JCI may use in its catalog & literature, field photographs of its products which may have been modified by the owners, products furnished by KPI-JCI may not necessarily be as illustrated therein. Also continuous design progress makes it necessary that specifications be subject to change without notice. All sales of the products of KPI-JCI are subject to the provisions of its standard warranty. KPI-JCI does not warrant or represent that its products meet any federal, state, or local statutes, codes, ordinances, rules, standards or other regulations, including OSHA and MSHA, covering safety, pollution, electrical wiring, etc. Compliance with these statutes and regulations is the responsibility of the user and will be dependent upon the area and the use to which the product is put by the user. In some photographs, guards may have been removed for illustrative purposes only. This equipment should not be operated without all guards attached in their normal position. Placement of guards and other safety equipment is often dependent upon the area and how the product is used. A safety study should be made by the user of the application, and, if required additional guards, warning signs and other safety devices should be installed by the user, wherever appropriate before operating the products.



700 W 21st. St., Yankton, SD 57078
1-800-542-9311 Fax: 605-665-8858

Email: mail@kpijci.com
www.kpijci.com
Mdl 6548-32T 05/12